

SULTANA

LINEER



Areas of application

- Shopping Centers
- Stores
- Meeting Halls
- Aisles
- Schools
- Shops
- Offices

Product benefits

- Efficient energy saving
- Elegant design
- Easy installation system

Product specifications

- Lifetime (L70/B50) : up to 50,000 h
- Color temperature : 2,700 K - 6,500 K
- Operating voltage : 220...240 V AC supply
- Type of protection : IP20
- Surfaced mounting
- Led type : Samsung -Seoul
- Driver : Eaglerise



IP 20



Product datasheet

Technical data

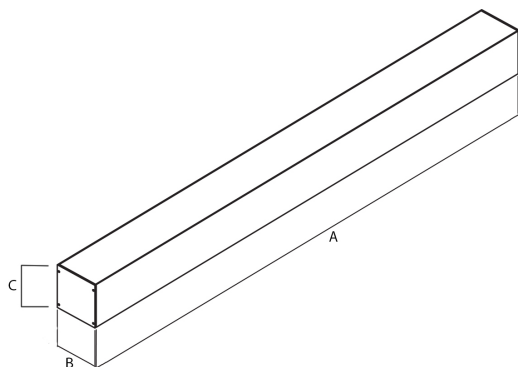
Electrical data

Nominal wattage	40 W
Nominal voltage	220 - 240 V
Power factor	> 0.9
Lumen / Watt	109 lm/watt
Total harmonic distortion	> %20
Mains frequency	50...60 Hz

Photometrical data

Color temperature	2700 K - 6500 K
Luminous flux	4375 lm
Color rendering index Ra	> 80

Dimensions



A	1000 mm
B	85 mm
C	85 mm

Colors & materials

Body material	Aluminum extrusion
Product color	Electrostatic powder paint

Note : Product body paint can be ordered with other RAL codes.

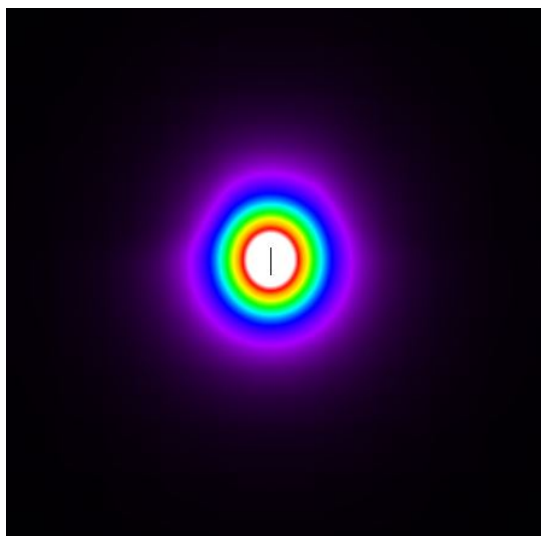
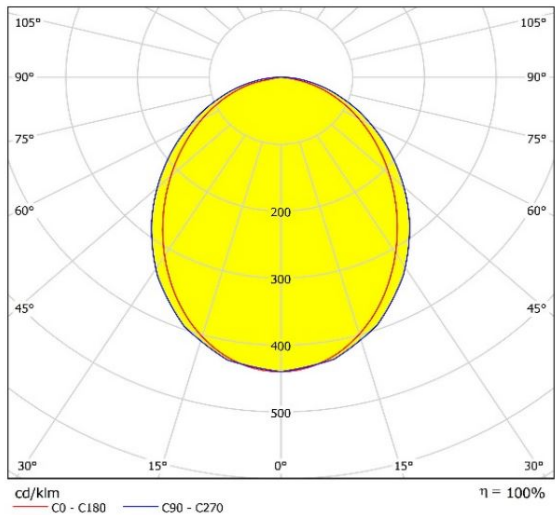
Temperatures & operating conditions

Ambient temperature range	-25 ... +85 °C
---------------------------	----------------

Product datasheet

Light Technical Data

Beam angle	Wide distribution
-------------------	-------------------



Type of cover	PC
----------------------	----

Capabilities

Type of installation	Surfaced
Type of connection	Cable, 2 x 0.75 mm ²

Certificates & standards

Protection class	Insulation class I (safety insulation)
Type of protection	IP20