

PROOF ROAD BLOCKER



Proof series road blocker has a solid structure as well as prominent security product about easiness at usage areas.

Cause for moving like accordion it doesn't need deep excavation for installation.

It is produced as standard length from 2 m to 4 m. Rising can be changeable between 50cm and 80 cm.

Proof series road blocker designed and produced as fully compliant for all kind of access control systems

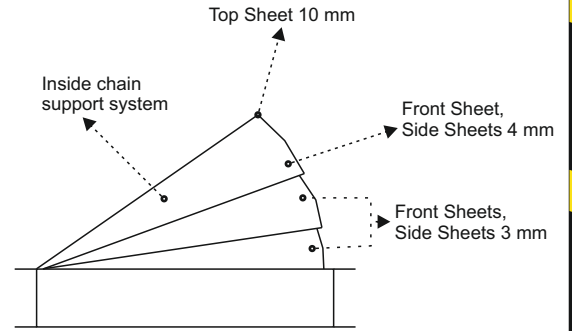
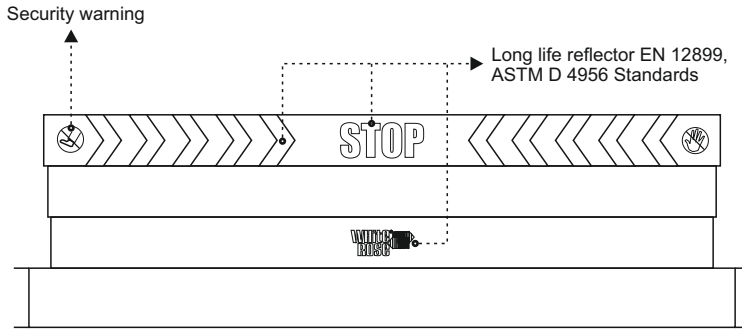
Road blocker main structure has built from S235JR quality steels.

General Informations and Standards

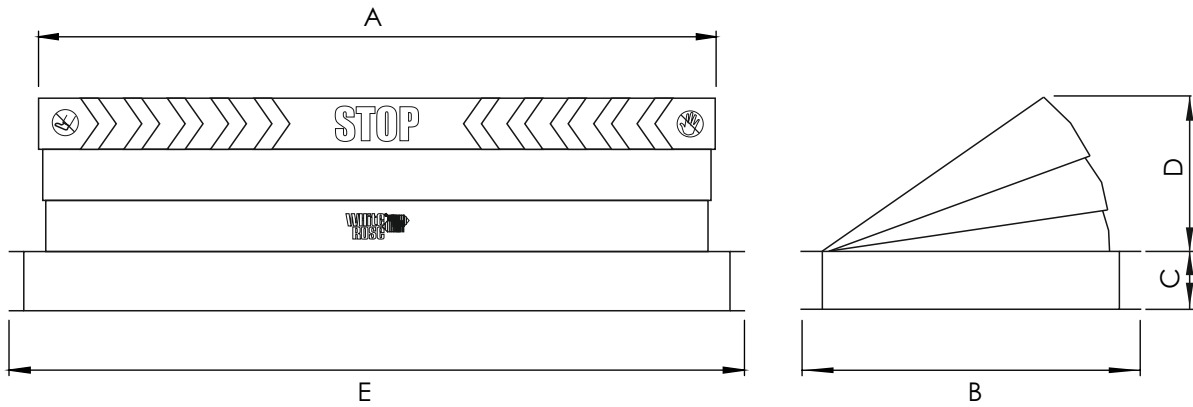
- ▶ T-MAG control panel
- ▶ 2-3 m single piston, 4 m double piston
- ▶ Operation speed is 4-6 second
- ▶ 3/8 R2 Hydraulic hoses 330 bar withstand
- ▶ 100% heavy duty cycle
- ▶ Fully compliant for access control systems
- ▶ Safety photocell and support
- ▶ Wr100 desktop button
- ▶ High performance working
- ▶ Fully safe and reliable operation
- ▶ Remote control and receiver system
- ▶ 2 years warranty



Product Details



Dimensions



		LENGHT																								
		2 M					2,5 M					3 M					3,5 M					4 M				
		A	B	C	D	E	A	B	C	D	E	A	B	C	D	E	A	B	C	D	E	A	B	C	D	E
RISING	50 cm	2000	985	300	500	2180	2500	985	300	500	2680	3000	985	300	500	3180	3500	985	300	500	3680	4000	985	300	500	4180
	60 cm		1085	300	600			1085	300	600			1085	300	600			1085	300	600						
	70 cm		1185	300	700			1185	300	700			1185	300	700			1185	300	700						
	80 cm		1285	300	800			1285	300	800			1285	300	800			1285	300	800						



Technical Datasheet

Type	PROOF SERIES		
Model	WPF200	WPF300	WPF400
Length	2 mt	3 mt	4 mt
Movable Part	S235JR quality steel sheet – Upper sheet 10mm / Front - Side sheets 3-4mm		
Working System	Hydraulic		
Power Supply	380 V 3 Phases 50/60 Hz		
Control Card	T-MAG Control Card		
Current	3,8 A		5,15 A
Motor Power	1,5 KW		2,2 KW
Number of piston	Single Piston		Double Pistons
Opening Time			4-6 sec
Duty Cycle			100%
Lift power	900 Kg		1800 Kg
Limit Switch Type	Adjustable engine working period		
Working Pressure Min	20 Bar		
Working Pressure Max	75 Bar		
Manual Opening	Global valve		
Manual Closing	Optional Hand Pump		
Hydraulic Oil Type	32 or 46 number hydraulic oil		
Hydraulic Hose	3/8 R2 330 Bar		
Working Temperature	-20°C min +70°C max		
Accumulator Supply	None		
Emergency Close	Optional		

Optional Extras

- ▶ Oil Heater
- ▶ Oil Cooler
- ▶ Emergency Fast Operation (1sec)
- ▶ Manual Hand Pump
- ▶ PLC Control Panel
- ▶ PLC Control Screen
- ▶ Traffic Lights (red-green)
- ▶ Traffic Lights post
- ▶ Loop Detector Double Contact
- ▶ Checkered non-sliding plate
- ▶ Hot-Dip Galvanization

ADDRESS

Organize Sanayi Bölgesi
9. Cad. No. 1 KARAMAN, TR

T: 0 338 224 13 60

F: 0 338 224 14 46

M: whiterose@whiterose.com.tr

W: www.whiterose.com.tr