

GUNOLA NB

FLOOD LIGHT



Areas of application

- Construction Sites
- Stadiums
- Facades
- Parking Spaces
- Closed Spor Complexes
- Building Surroundings

Product benefits

- Efficient energy saving
- Elegant design
- Easy installation system

Product specifications

- Lifetime (L70/B50) : up to 50,000 h
- Color temperature : 2,700 K - 6,500 K
- Operating voltage : 220...240 V AC supply
- Type of protection : IP67
- Surfaced mounting
- Led type : Samsung - Cree
- Driver : Meanwell



IP 67



Product datasheet

Technical data

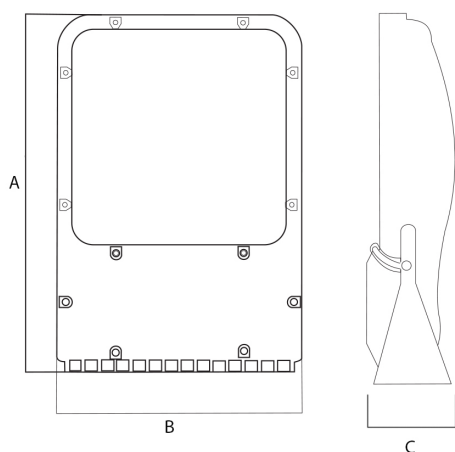
Electrical data

| | |
|---------------------------|-------------|
| Nominal wattage | 85 W |
| Nominal voltage | 220 - 240 V |
| Power factor | > 0.9 |
| Lumen / Watt | 129 lm/watt |
| Total harmonic distortion | < %20 |
| Mains frequency | 50...60 Hz |

Photometrical data

| | |
|--------------------------|-----------------|
| Color temperature | 2700 K - 6500 K |
| Luminous flux | 10980 lm |
| Color rendering index Ra | > 80 |

Dimensions



| | |
|---|--------|
| A | 330 mm |
| B | 230 mm |
| C | 70 mm |

Colors & materials

| | |
|---------------|----------------------------|
| Body material | Aluminum die cast |
| Product color | Electrostatic powder paint |

Note : Product body paint can be ordered with other RAL codes.

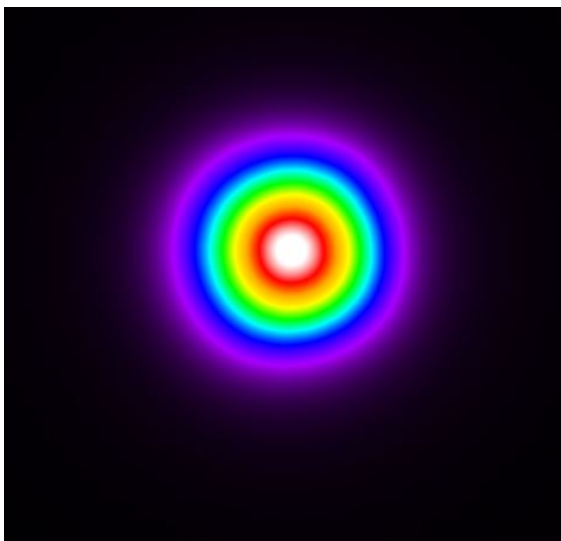
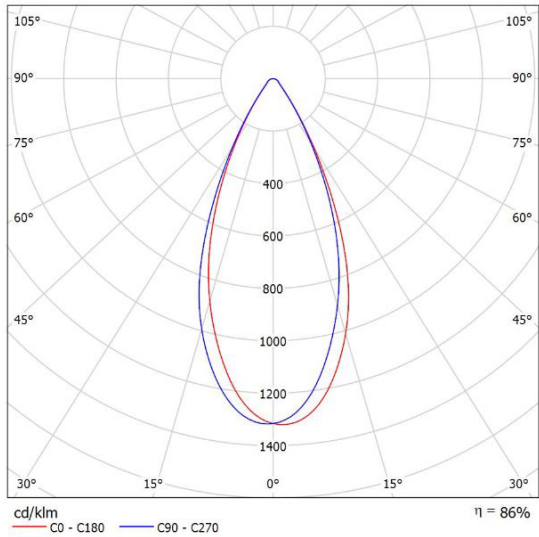
Temperatures & operating conditions

| | |
|---------------------------|----------------|
| Ambient temperature range | -25 ... +85 °C |
|---------------------------|----------------|

Product datasheet

Light Technical Data

| | |
|------------|--------------------|
| Beam angle | Narrow distribiton |
|------------|--------------------|



| | |
|---------------|----------|
| Type of cover | Solid PC |
|---------------|----------|

Capabilities

| | |
|----------------------|---------------------------------|
| Type of installation | Surfaced |
| Type of connection | Cable, 3 x 1.50 mm ² |

Certificates & standards

| | |
|--------------------|--|
| Protection class | Insulation class I (safety insulation) |
| Type of protection | IP67 |