

ROAD BLOCKER

strongest one in the city...





FOR COMFORT AND SAFETY OF ANYTHING YOU CARE IN YOUR LIFE



We always ask ourselves this question: How can we provide both comfort and safety at the same time? Yes, in fact, comfort and safety are two conflicting words... But we ourselves create miracles with these two words... just with some knowledge, intelligence and ability... which are our key words en route to serve humanity. With these key words, we fit comfort and safety into a frame and here emerges White Rose. We, as White Rose, questioning continuously, have rendered our products suitable for people, not the other way around.

What are their needs, how can we assist them in their daily life? First, we discussed all these questions with our professional team and then we could answer them observing the needs of our people.

Thus, under three titles, we made use of our cutting-edge technology for humans comfort and safety. With our Industrial Automation, Urban Automation and Home Automation products we obtained answers of our questions and so we became an unrivaled company in Turkey, ranking among leading companies in the World. Thanks for deciding to get familiar with advanced technology we offer.



STRONGEST AND MOST RECENT
DESIGN OF THE TIME



WHAT IS ROAD BLOCKER?

It is an efficient security product. Controlled by the security guards, it is a human friendly product against the terrorism, cause of the chaos around the world. As our principle is to provide security first, then the comfort; we are presenting you with our top technology product. Our product is especially effective against the vehicles loaded with bombs be stopped at the checkpoints therefore saving lives of your beloved people.

Before road blocker, at checkpoints it was bollards or persons to stop the cars hence ill-intentioned vehicles would easily speed up and enter into premises.

This would cause death of many people. Our product Road Blocker stands on the way instead of security guards in this context and life loss therefore, has been prevented.

Besides that it has automated controls allowing comfortable use.

Superior protection capability of the product has been tested in England and in Turkey via crash tests.

WE ARE OFFERING YOU A PRODUCT FULL OF ADVANTAGES

You will find it hard to believe what our technology product offers for your convenience. Security-aimed road blocker has been designed to suit your needs. Remote control, button system, pass-card, OGS (automatic toll collection system), under-car scanning systems and car plate reading systems can be integrated into the product. It can be manufactured at requested dimensions depending on site's requirements. It supports loop-detector and light sensor meanwhile providing security for you and those beloved to you. It bears a heavy-duty hydraulic system which is suitable for continuous operation with %100 performance. Smart design and look will add to your comfort and makes our product the best choice for many as it doesn't intervene in landscaping plan of the site on which it is established.

New generation hydraulic unit has saving feature as well. While providing your security it minimizes the cost, as well.

ECO 



ROAD BLOCKER'S WAY OF WORKING MATTERS FOR YOUR SECURITY



● Road Blocker

● Hydraulic Unit

● Traffic Lamp

● Loop Detector

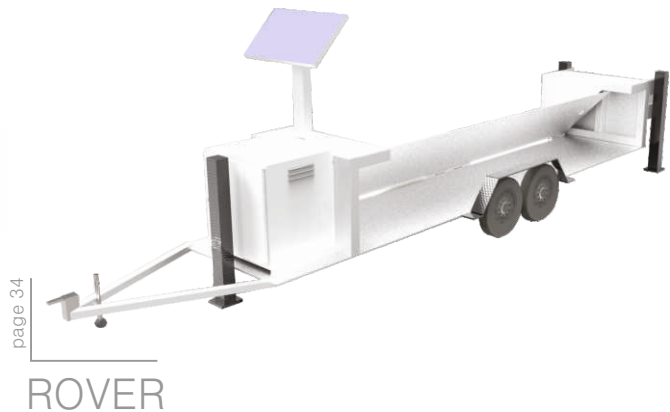
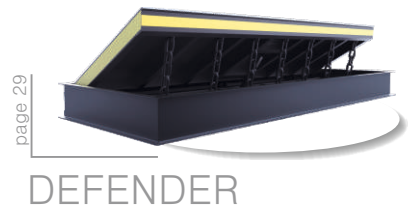
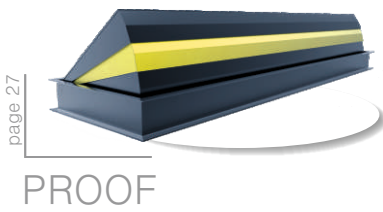
OUR AIM IS
TO MAKE YOU
FEEL SAFE

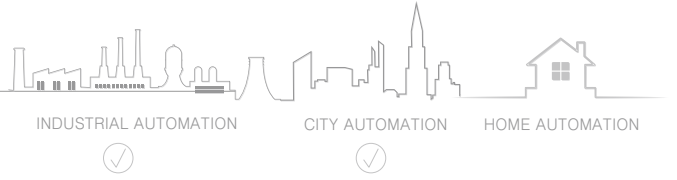
As you get to know our variety of road blocker systems products; you will find that any solution you may need, is already included. So, please visit our website.

www.whiterose.com.tr



WHAT WE OFFER IS; TOP GRADE SECURITY





ARMOR ROAD BLOCKER

feel the power

Armor series Road Blocker is a state of the art product and bears superior technology features. A truck of 12 tons at 81kmh speed was used on IWA 14 N3D crash test and the result was a success.



side view

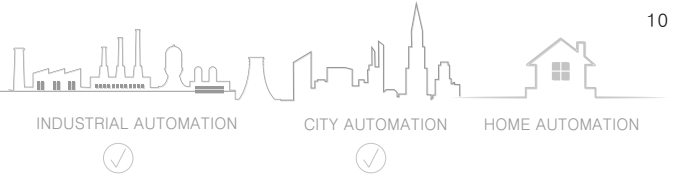


front view



rear view





AN EXTRAORDINARY SECURITY PRODUCT ARMOR





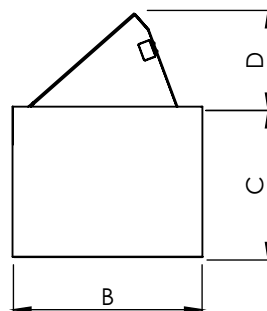
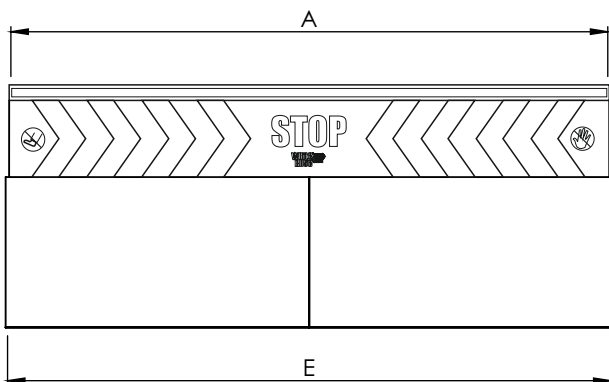
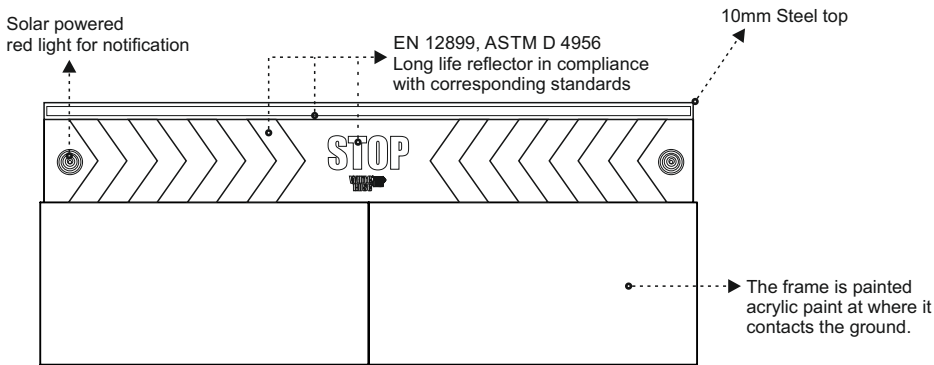
We have proven through the tests that Armor, our top technology product will suffice to protect you.

A truck of 12 tons at 81kmh speed was used on IWA 14 N3D crash test and the result was a success and this test in England won us the corresponding certification.

Armor has proven that it would still work even after such collusion with the truck on the test and make the truck unusable therefore showing us that it would provide an efficient protection for you. This success makes us proud and has been won for your security. We learned through this test that until we create a better one, ARMOR is the best one.

Through the QR code you can watch the crash test.





LENGTH																								
2 M					3 M					4 M					5 M					6 M				
A	B	C	D	E	A	B	C	D	E	A	B	C	D	E	A	B	C	D	E	A	B	C	D	E
2000	1980	1322	1000	2200	3000	1980	1322	1000	3200	4000	1980	1322	1000	4200	5000	1980	1322	1000	5200	6000	1980	1322	1000	6200

Type	ARMOR PLUS SERIES				
Model	WAP200	WAP300	WAP400	WAP500	WAP600
Length	2 mt	3 mt	4 mt	5 mt	6 mt
Moving part	Steel sheets are S355JR quality steel - 10 mm steel top				
Working system	Hydraulic				
Power source	380 V 3 Phase 50/60 Hz				
Control unit	12 input - 8 output PLC				
Current draw	15 A		21 A		
Ac motor power	5,5 KW		7,5 KW		
Dc motor power	2,2 KW				
Number of pistons	Double Piston				
On/off duration (ac motor)	3 second				
On/off duration (dc motor)	Approximately 20 seconds				
Continuously of operation	100%				
Limit switch type	Adjustable motor operational duration				
Minimum operational pressure	30 Bar				
Maximum operational pressure	180 Bar				
Manuel turn on	Through ball valve				
Manual shut down	Hand pump				
Hydraulic oil type	32 or 46 number hydraulic oil				
Oil tank (lt.)	130 Lt.				
Notification light	Solar powered red notification light embedded in the lateral steel sheets				
Hydraulic pipe	3/8 R2 330 Bar				
Operational temperature	-20°C min +70°C max				
Accumulator support	Available				
Emergency shut down	Optional 1 seconds				
Water discharge pump	Automatic pump				
Crash test	IWA 14 N3D crash test certification				

ARMOR IS NEVER AN ORDINARY A SOLUTION

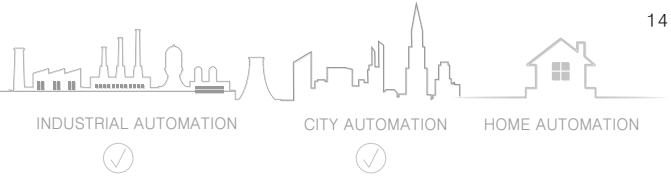


OUR AIM IS TO MAKE YOU FEEL SAFE ANYWHERE

As you get to know our variety of road blocker systems products; you will find that any solution you may need, is already included. So, please visit our website.

www.whiterose.com.tr





FULLY EFFICIENT

We have worked hard to build the strongest road blocker. Therefore, as it is the case with our other series, ARMOR as well is ready to meet your needs. Road Blocker's all parts have been created through our state of the art technology and night reflectors added night-visibility to Road Blocker.





FORCEFUL ROAD BLOCKER

strong barrier
safe passage

Forceful Series has been manufactured to comply with top standards and meets any requirements of the task. As required by K12 standards, it has proven successful after a collusion with the truck of 7.5 tons at a speed of 88km/h on the test.



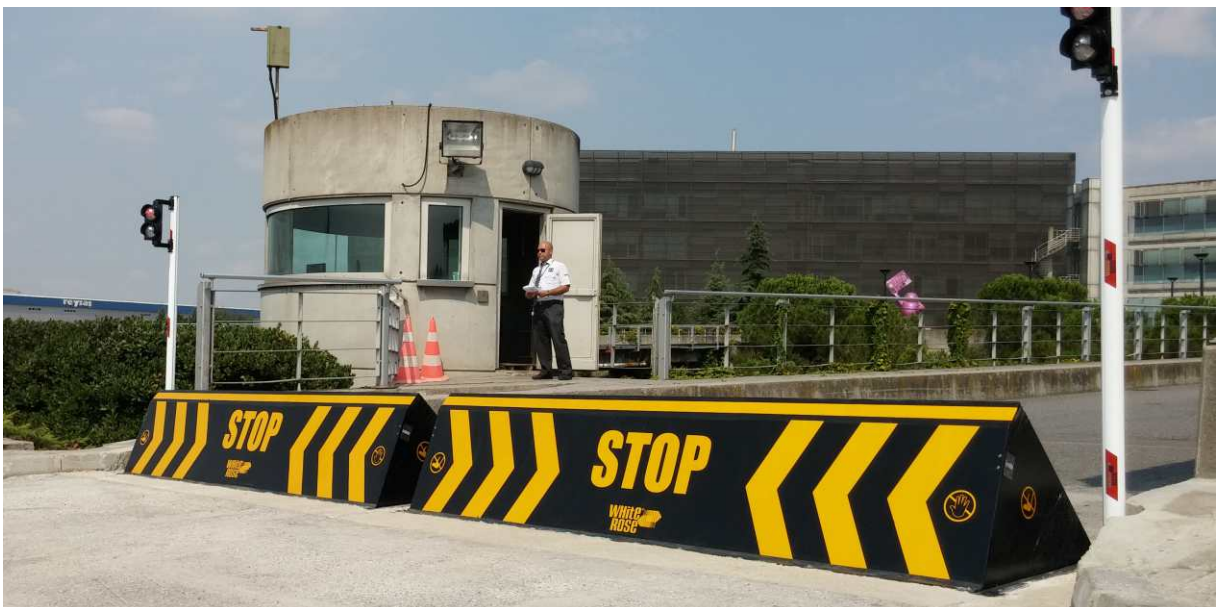
side view

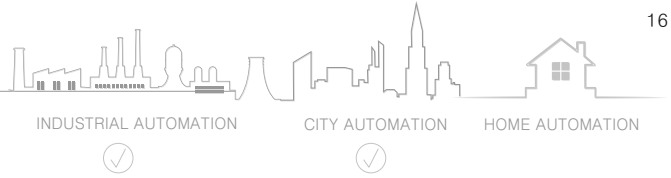


front view



rear view





YOUR SECURITY MATTERS TO US...

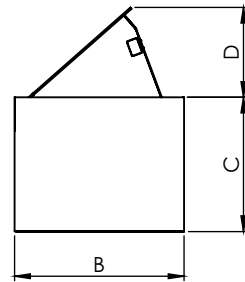
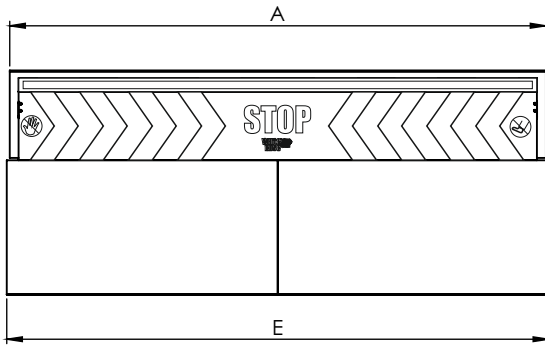
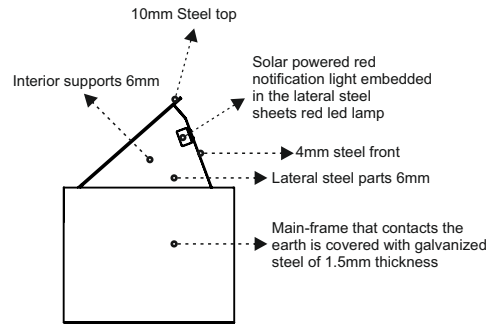
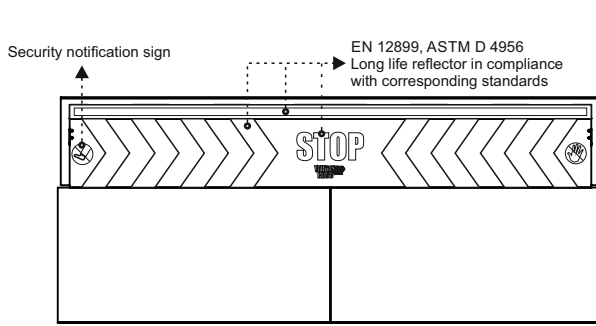
We are proud to see that our said awareness makes our products better. Just as their elder brother Armor; Buffalo and Forceful also have been tested. A truck of 12 tons at 88kmh speed was used on the crash test and the result was a success and this test in compliance with K12 criteria, won us the corresponding certification.



▶ An attack through an inefficient product may end up with loss of lives of those around you. ◀



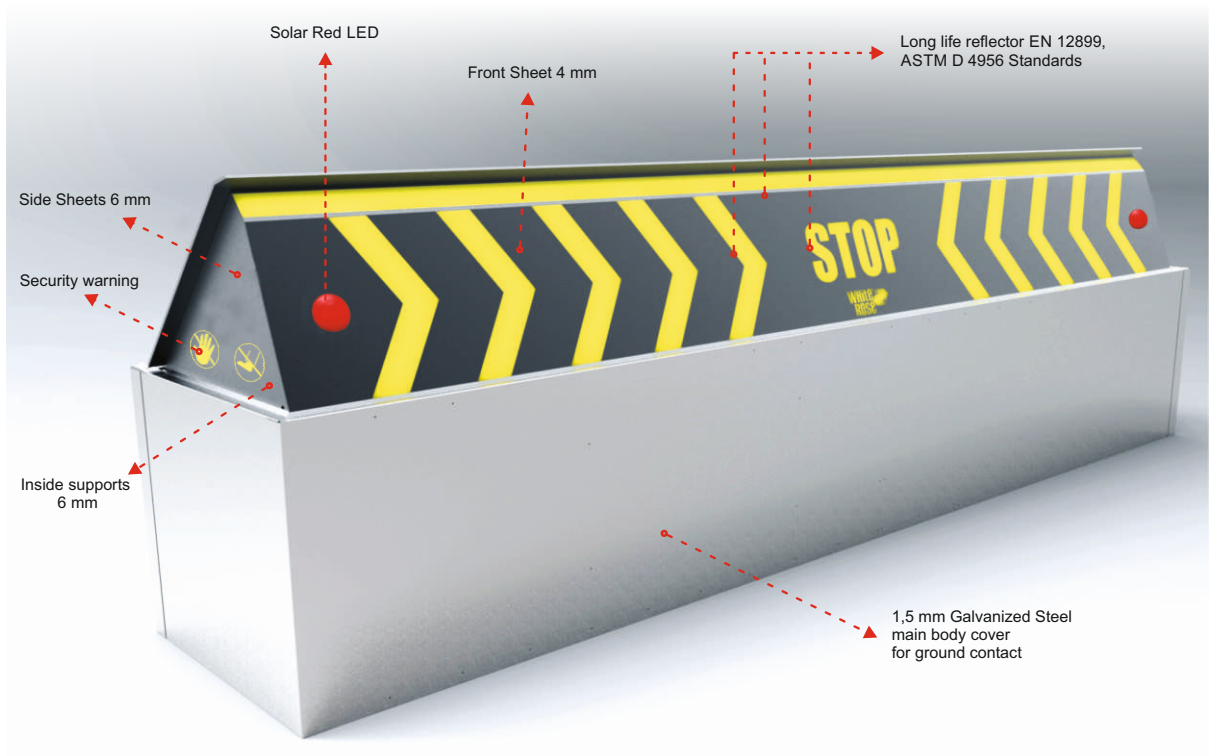
product information



		LENGTH																								
		2 M					3 M					4 M					5 M					6 M				
		A	B	C	D	E	A	B	C	D	E	A	B	C	D	E	A	B	C	D	E	A	B	C	D	E
OPENABLE	50 cm	945	730	500		945	730	500		945	730	500		945	730	500		945	730	500		945	730	500		
	60 cm	1045	850	600		1045	850	600		1045	850	600		1045	850	600		1045	850	600		1045	850	600		
	70 cm	1145	950	700		1145	950	700		1145	950	700		1145	950	700		1145	950	700		1145	950	700		
	80 cm	1245	1050	800		1245	1050	800		1245	1050	800		1245	1050	800		1245	1050	800		1245	1050	800		
	90 cm	1345	1150	900	2000	1345	1150	900	2030	1345	1150	900	3030	1345	1150	900	4030	1345	1150	900	5030	1345	1150	900	6030	
	100 cm	1445	1250	1000		1445	1250	1000		1445	1250	1000		1445	1250	1000		1445	1250	1000		1445	1250	1000		
	110 cm	1545	1350	1100		1545	1350	1100		1545	1350	1100		1545	1350	1100		1545	1350	1100		1545	1350	1100		
120 cm	1645	1450	1200		1645	1450	1200		1645	1450	1200		1645	1450	1200		1645	1450	1200		1645	1450	1200			

Type	FORCEFUL SERIES				
Model	WFF200	WFF300	WFF400	WFF500	WFF600
Length	2 mt	3 mt	4 mt	5 mt	6 mt
Moving part	Sheets are S235JR quality steel - Steel top 10mm / Steel fronts 4mm / Steel lateral part 6mm / Interior supports 6mm				
Working system	Hydraulic				
Power source	380 V 3 Phase 50/60 Hz				
Control unit	12 input - 8 output PLC				
Current draw	15 A			21 A	
Ac motor power	7,5 KW			11 KW	
Dc motor power			2,2 KW		
Number of pistons	Double Piston				
On/off duration (ac motor)	3 seconds				
On/off duration (dc motor)	Approximately 20 seconds				
Continuously of operation	100%				
Lifting power	1.750 Kg			2.750 Kg	
Limit switch type	Adjustable motor operational duration				
Minimum operational pressure	30 Bar				
Maximum operational pressure	180 Bar				
Manuel turn on	Through ball valve				
Manual shut down	Hand pump				
Hydraulic oil type	32 or 46 No. Hydraulic Oil				
Oil tank (Lt.)	130 Lt.			200 Lt.	
Notification light	Solar powered red notification light embedded in the lateral steel sheets				
Hydraulic pipe	3/8 R2 330 Bar				
Operational temperature	-20°C min +70°C max				
Accumulator support	Available				
Emergency shut down	Optional 1 seconds				
Water discharge pump	Automatic pump				
Crash test	Test certificate				

MORE DETAILS



OUR AIM IS TO MAKE YOU FEEL SAFE ANYWHERE

As you get to know our variety of road blocker systems products; you will find that any solution you may need, is already included. So, please visit our website.

www.whiterose.com.tr





WE TRANSLATE OUR TECHNOLOGY INTO COMFORT

Most impressive part of the mentioned technology is that it is fully under your control. Aesthetic button system and connected PLC panel gives the bollard under your control.

Wr200 Button System

Wr200 button system which is the best part of our best systems, has been designed by use of very special materials. The display panels on this system, represent how comfortable an experience it makes your job. Displays show whether there is electricity on the system or not, as well as showing whether the bollard is at on or off position, leading the user to more convenient methods of use. Also at emergencies, it closes the road within 1.5 seconds meanwhile cancelling all security detectors by EFO(Emergency Fast Functioning). When the user is not presently available at the system, he/she can lock the system by the lock system available on the display, therefore preventing unauthorized use.

Control Panel

All this comfort is governed by one unit: Control Panel Control panel is the heart of the system that we have developed for your convenience. Operational performance and management infrastructure owe their success to being integrate under single control panel. When it detects heavy duty/peak use levels; it detects a possible high-temperature issue and activates ventilation/air circulation system therefore making the system work efficiently. Apart from that, the control panel also prevents damage to the movement unit that may arise due to high voltage resistances. Remote administration feature allows you increase your security.



THE CONTROL THAT YOU WOULD LOVE TO SEE

REMOTE ADMINISTRATION PLC SCREEN SPECIFICATIONS

DIGIPAN

Yes, our state of the art high security bollards are equipped with intuitive, easy to understand displays and interfaces, and therefore are easy to use. This system that connects the user and the product is called "Digipan". You can receive information about any function of the product and control any specs of it, through Digipan. And it can be operated in coordination with other computers therefore allowing the user control the system remotely.

DIGIPAN - 1

- Control With Function Key
- 3.5" Screen
- 3 Different Colours Of Monochrome
- Usb Connection
- Waterproof Structure
- Heavy Duty Structure



DIGIPAN - 2

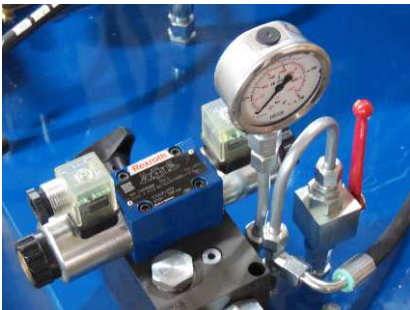
- Touch Control
- 7" Screen
- 65k Colour
- USB, RS232, Ethernet Bağlantı
- Product Movement Display With Animation
- Remote Access Supported

▶ Touch display for controls
Designated for your comfort

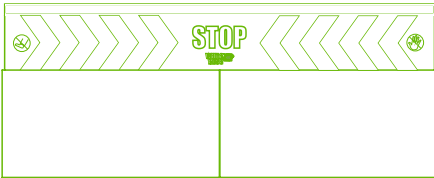
THE HERO BEHIND THE HOOD



Mechanical performance of the security expert that we present for your convenience, makes us proud. Firmness and technology compatibility are integrated within the body of the hydraulic unit, takes its endless power from you.



DON'T LET YOUR SECURITY FAIL



Road Blocker owes its continuous comfort, also to its extended accumulator technology. This basic property is like a proof of our care and attention for your safety. It doesn't stop protecting you even when the electricity is cut off.





BUFFALO ROAD BLOCKER

no access

Buffalo Series Road Blocker has been designed to suit passage security and endure long time operation. Thanks to its hydraulic system, operational continuity rate is %100.



side view



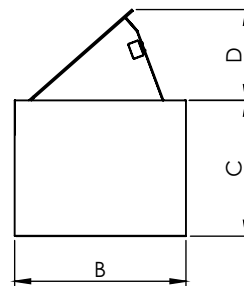
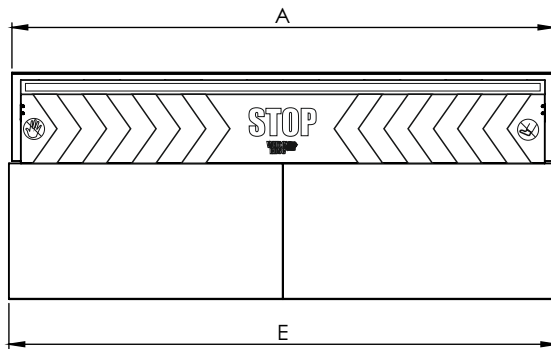
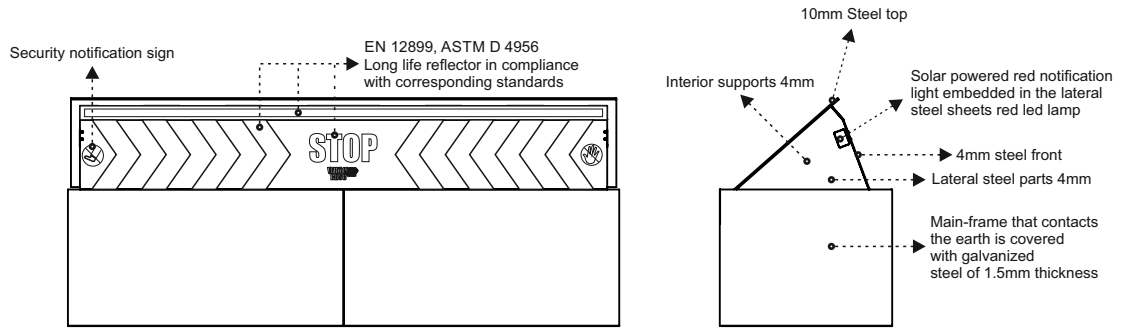
front view



rear view



product information



		LENGTH																								
		2 M					3 M					4 M					5 M					6 M				
		A	B	C	D	E	A	B	C	D	E	A	B	C	D	E	A	B	C	D	E	A	B	C	D	E
OPENABLE	50 cm	945	730	500		945	730	500		945	730	500		945	730	500		945	730	500		945	730	500		
	60 cm	1045	850	600		1045	850	600		1045	850	600		1045	850	600		1045	850	600		1045	850	600		
	70 cm	1145	950	700		1145	950	700		1145	950	700		1145	950	700		1145	950	700		1145	950	700		
	80 cm	1245	1050	800		1245	1050	800		1245	1050	800		1245	1050	800		1245	1050	800		1245	1050	800		
	90 cm	1345	1150	900		1345	1150	900		1345	1150	900		1345	1150	900		1345	1150	900		1345	1150	900		
	100 cm	1445	1250	1000		1445	1250	1000		1445	1250	1000		1445	1250	1000		1445	1250	1000		1445	1250	1000		
	110 cm	1545	1350	1100		1545	1350	1100		1545	1350	1100		1545	1350	1100		1545	1350	1100		1545	1350	1100		
120 cm	1645	1450	1200		1645	1450	1200		1645	1450	1200		1645	1450	1200		1645	1450	1200		1645	1450	1200			

Type	BUFFALO SERIES				
Model	WBF200	WBF300	WBF400	WBF500	WBF600
Length	2 mt	3 mt	4 mt	5 mt	6 mt
Moving part	Sheets are S235JR quality steel - Steel top 10mm / Steel fronts 4mm / Steel lateral part 4mm / Interior supports 4mm				
Working system	Hydraulic				
Power source	380 V 3 Phase 50/60 Hz				
Control unit	Control unit T-mag control unit / optional PLC				
Current draw	3,8 A		5,15 A		
Motor power	1,5 KW		2,2 KW		
Number of pistons	Single Piston			Double Piston	
Turn on-turn off duration	4-6 second				
Continuously of operation	100%				
Lifting power	900 Kg			1800 Kg	
Limit switch type	Adjustable motor operational duration				
Minimum operational pressure	20 Bar				
Maximum operational pressure	75 Bar				
Manuel opening	Through ball valve				
Manuel shutdown	Optional hand pump				
Hydraulic oil type	Hydraulic oil No.32 or 46				
Notification light	Solar powered red notification light embedded in the lateral steel sheets				
Hydraulic pipe	3/8 R2 330 Bar				
Operational temperature	-20°C min +70°C max				
Accumulator support	None				
Emergency shut down	Optional				
Water discharge pump	Optional				
Crash test	Test Certificate				



BLOCK ROAD BLOCKER

economical solution

Block Series Road Blocker, is a top grade security system to provide entrance and exit security at its best and bears a heavy duty hydraulic system which can operate for long durations.



side view



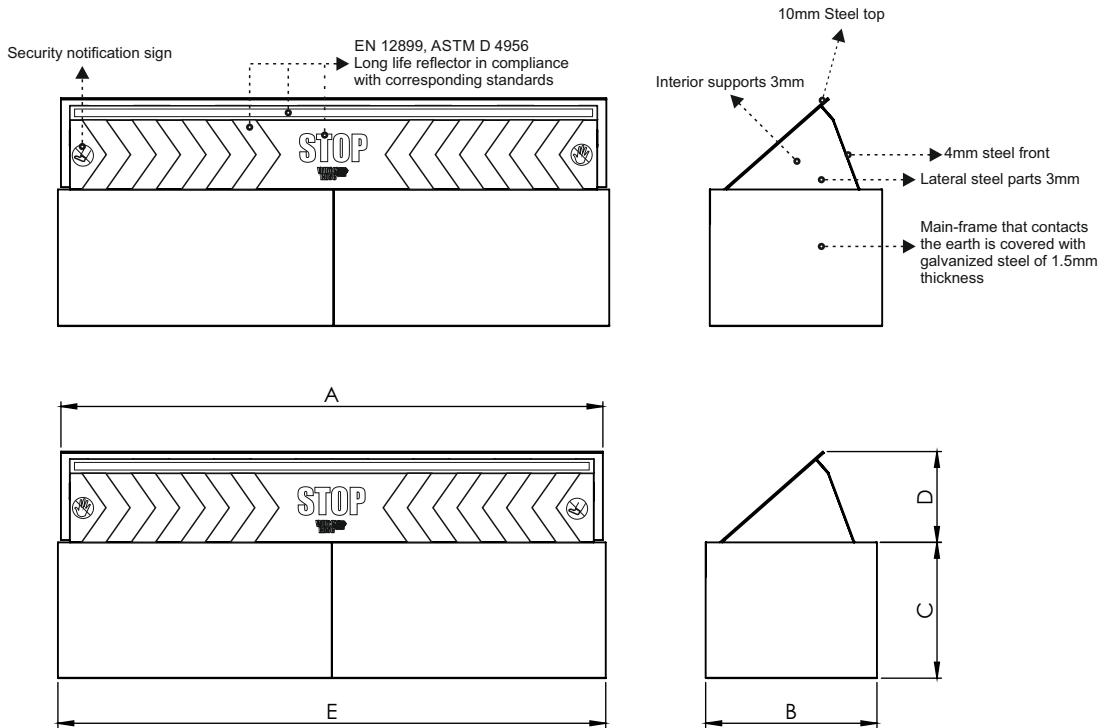
front view



rear view

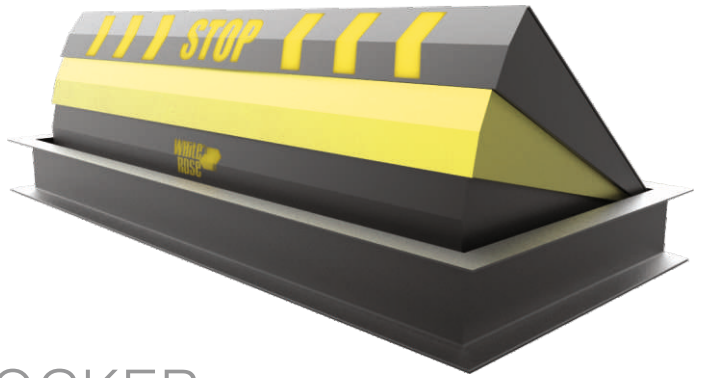
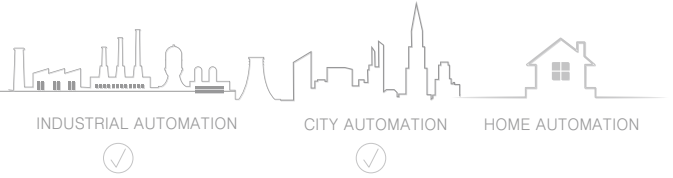


product information



		LENGTH																											
		2 M					3 M					4 M					5 M					6 M							
		A	B	C	D	E	A	B	C	D	E	A	B	C	D	E	A	B	C	D	E	A	B	C	D	E			
OPENABLE	50 cm	945	730	500		945	730	500		945	730	500		945	730	500		945	730	500		945	730	500		945	730	500	
	60 cm	1045	850	600		1045	850	600		1045	850	600		1045	850	600		1045	850	600		1045	850	600		1045	850	600	
	70 cm	1145	950	700		1145	950	700		1145	950	700		1145	950	700		1145	950	700		1145	950	700		1145	950	700	
	80 cm	1245	1050	800		1245	1050	800		1245	1050	800		1245	1050	800		1245	1050	800		1245	1050	800		1245	1050	800	
	90 cm	1345	1150	900		1345	1150	900		1345	1150	900		1345	1150	900		1345	1150	900		1345	1150	900		1345	1150	900	
	100 cm	1445	1250	1000		1445	1250	1000		1445	1250	1000		1445	1250	1000		1445	1250	1000		1445	1250	1000		1445	1250	1000	
		2000		2030	3000	3030	4000		4030	5000		5030	6000		6030														

Type	BLOCK SERIES				
Model	WLF200	WLF300	WLF400	WLF500	WLF600
Length	2 mt	3 mt	4 mt	5 mt	6 mt
Moving part	Sheets are S235JR quality steel - Steel top 10mm / Steel fronts 4mm / Steel lateral part 3mm / Interior supports 3mm				
Working system	Hydraulic				
Power source	380 V 3 Phase 50/60 Hz				
Control unit	T-MAG control unit				
Current draw	3,8 A		5,15 A		
Motor power	1,5 KW		2,2 KW		
Number of pistons	Single Piston		Double Piston		
Turn on-turn off duration	5-7 second				
Continuously of operation	90%				
Lifting power	700 Kg		1600 Kg		
Limit switch type	Adjustable motor operational duration				
Minimum operational pressure	20 Bar				
Maximum operational pressure	50 Bar				
Manuel opening	Through ball valve				
Manuel shutdown	None				
Hydraulic oil type	Hydraulic oil No.32 or 46				
Notification light	None				
Hydraulic pipe	3/8 R2 330 Bar				
Operational temperature	-10°C min +50°C max				
Accumulator support	None				
Emergency shut down	None				
Water discharge pump	None				
Crash test	None				



PROOF ROAD BLOCKER

firm and functional

Proof Series Road Blocker is remembered with its being extra easy to use and has a very firm, durable build. At where digging the ground is not much of a possibility, thanks to its accordion like structure, it takes less space and requires less digging work.



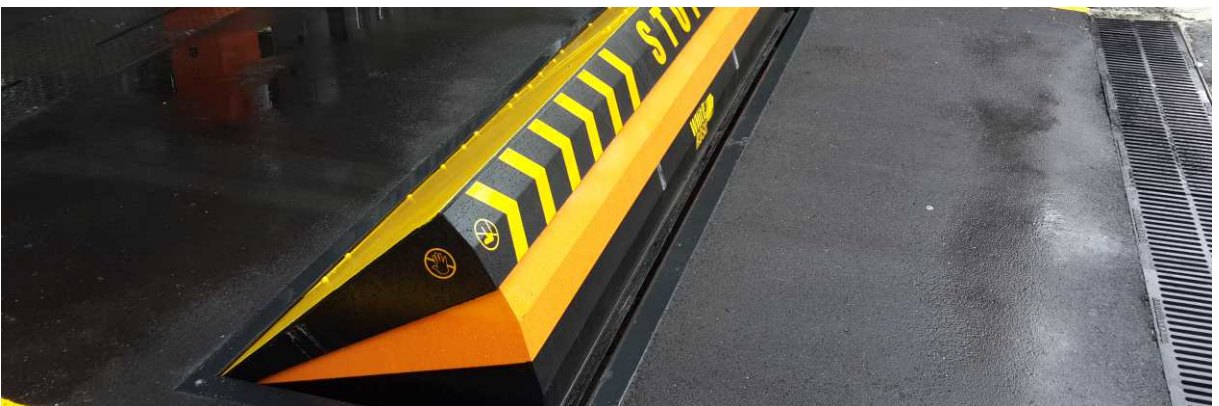
side view



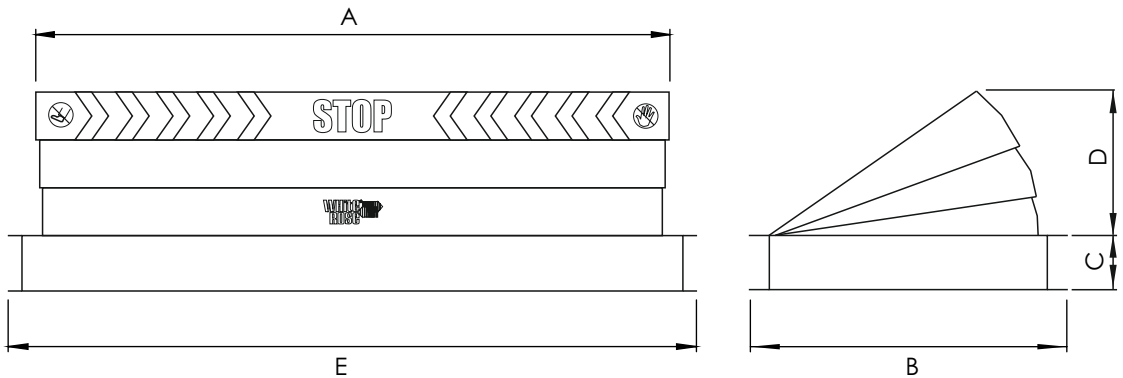
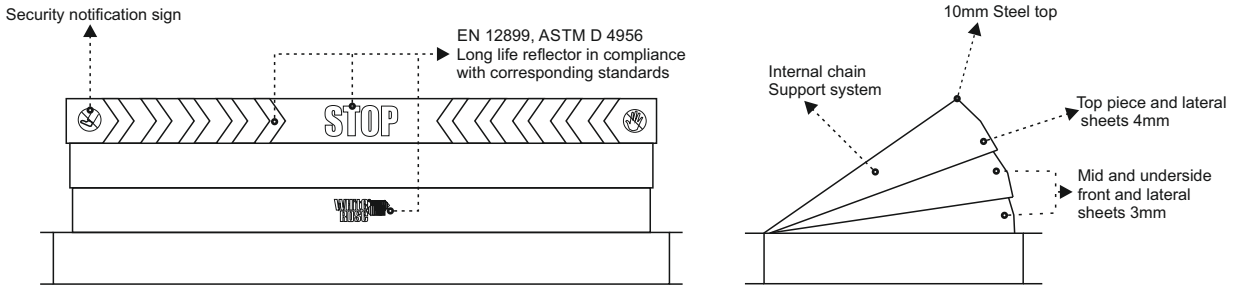
front view



rear view



product information



		LENGTH														
		2 M					3 M					4 M				
		A	B	C	D	E	A	B	C	D	E	A	B	C	D	E
OPENABLE	50 cm	2000	985	210	500	2180	3000	985	210	500	3180	4000	985	210	500	4180
	60 cm		1085	210	600			1085	210	600			1085	210	600	
	70 cm		1185	210	700			1185	210	700			1185	210	700	
	80 cm		1285	210	800			1285	210	800			1285	210	800	

Type	PROOF SERIES		
Model	WPF200	WPF300	WPF400
Length	2 mt	3 mt	4 mt
Moving part	Sheets are S235JR Quality steel - Top sheet 10mm / Front and lateral sheets 3-4mm / internal chain support system		
Working system	Hydraulic		
Power source	380 V 3 Phase 50/60 Hz		
Control unit	T-MAG control unit / optional PLC		
Current draw	3,8 A		5,15 A
Motor power	1,5 KW		2,2 KW
Number of pistons	Single Piston		Double Piston
Turn on-turn off duration	4-6 second		
Continuously of operation	100%		
Lifting power	900 Kg		1800 Kg
Limit switch type	Adjustable motor operation duration		
Minimum operational pressure	20 Bar		
Maximum operational pressure	75 Bar		
Manuel opening	Through ball valve		
Manuel shutdown	Optional hand pump		
Hydraulic oil type	32 or 46 number Hydraulic Oil		
Hydraulic pipe	3/8 R2 330 Bar		
Operational temperature	-20°C min +70°C max		
Accumulator support	None		
Emergency shut down	Optional		



DEFENDER ROAD BLOCKER

continuous security

Defender Road Blocker's strength is at IWA 14 standards. It is designed so that even after colliding with a vehicle, it can still operate. Doesn't require deep-digging of the ground. Offers safe passage for the user meanwhile providing optimal security.



side view



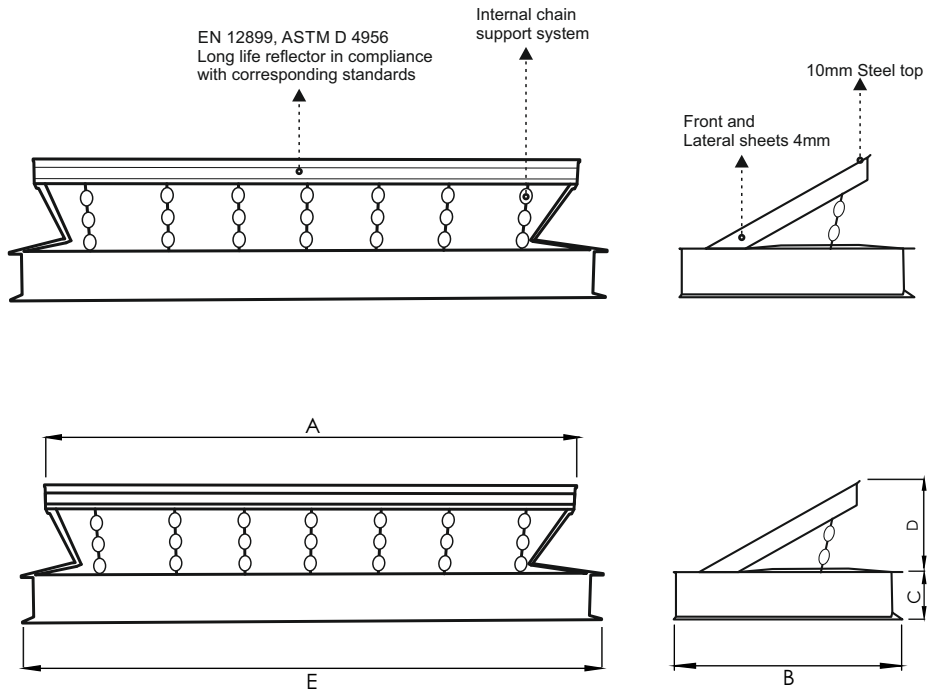
front view



rear view



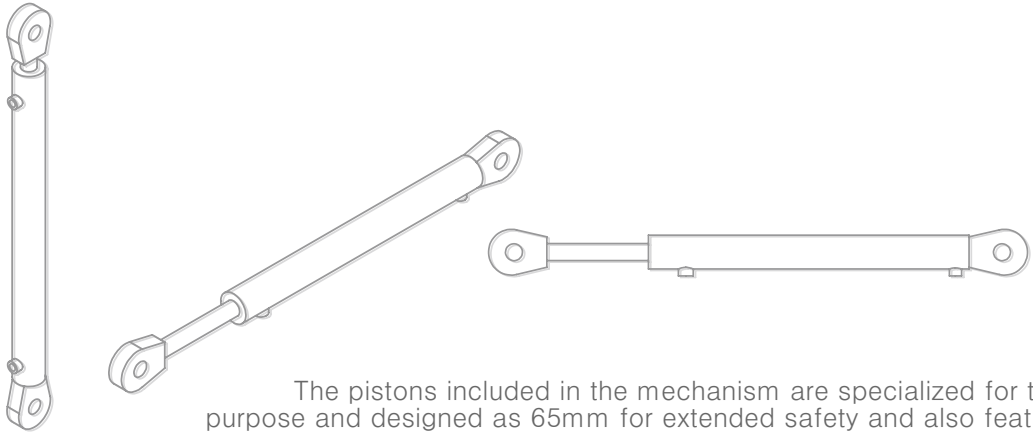
product information



		LENGTH														
		2 M					3 M					4 M				
		A	B	C	D	E	A	B	C	D	E	A	B	C	D	E
OPENABLE	50 cm	2000	985	210	500	2180	3000	985	210	500	3180	4000	985	210	500	4180
	60 cm		1085	210	600			1085	210	600			1185	210	700	
	70 cm		1185	210	700			1285	210	800			1285	210	800	
	80 cm		1285	210	800			1285	210	800			1285	210	800	

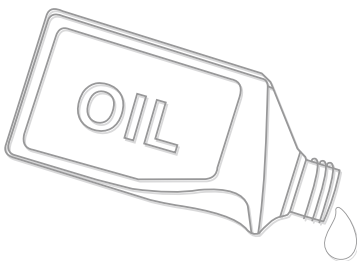
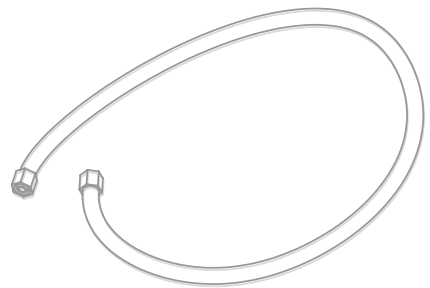
Type	DEFENDER SERIES		
Model	WDF200	WDF300	WDF400
Length	2 mt	3 mt	4 mt
Moving part	Sheets are S235JR Quality steel - Top sheet 10mm / Front and lateral sheets 3-4mm / Internal chain		
Working system	Hydraulic		
Power source	380 V 3 Phase 50/60 Hz		
Control unit	T-MAG control unit / optional PLC		
Current draw	3,8 A		5,15 A
Motor power	1,5 KW		2,2 KW
Number of pistons	Single Piston		Double Piston
Turn on-turn off duration	4-6 second		
Continuously of operation	100%		
Lifting power	900 Kg		1800 Kg
Limit switch type	Adjustable motor operation duration		
Minimum operational pressure	20 Bar		
Maximum operational pressure	75 Bar		
Manuel opening	Through ball valve		
Manuel shutdown	Optional hand pump		
Hydraulic oil type	32 or 46 Number hydraulic oil		
Hydraulic pipe	3/8 R2 330 Bar		
Operational temperature	-20°C min +70°C max		
Accumulator support	None		
Emergency shut down	Optional		

WE HAVE BROUGHT TOGETHER THE PARTS WHICH ARE IMPORTANT FOR US AND SAFE FOR YOU

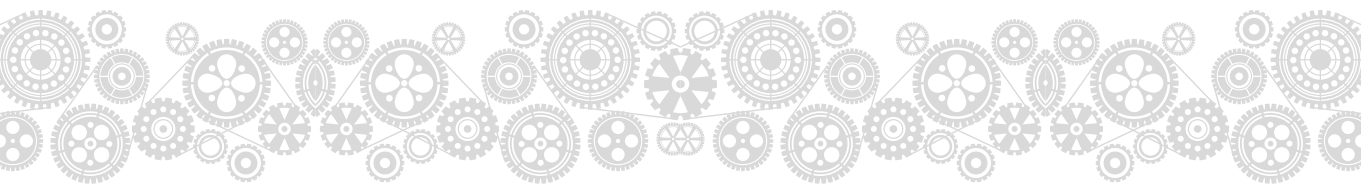


The pistons included in the mechanism are specialized for this purpose and designed as 65mm for extended safety and also feature special valve system against hose breakages. Road Blocker's mentioned important part bears loads up to 2750kg.

Systems veins: 3/8 R2 330 Bar hydraulic hose is unbreakable and leak proof. It can work for long years with your road blocker, with continuous high performance.



Another hero behind the power that we present for you, is the hydraulic oil no 32 or 46. Having passed the heavy duty performance tests, the hydraulic oil is in place of the system's blood.





SCORPION ROAD BLOCKER

creative design

Zcan be applied without digging but with steel dowels instead Scorpion Road Blocker, offers high security with the security wall that it offers.

Hydraulic system of operation makes it able to remain operational for long durations and its being easy to install makes it your solution partner.



side view



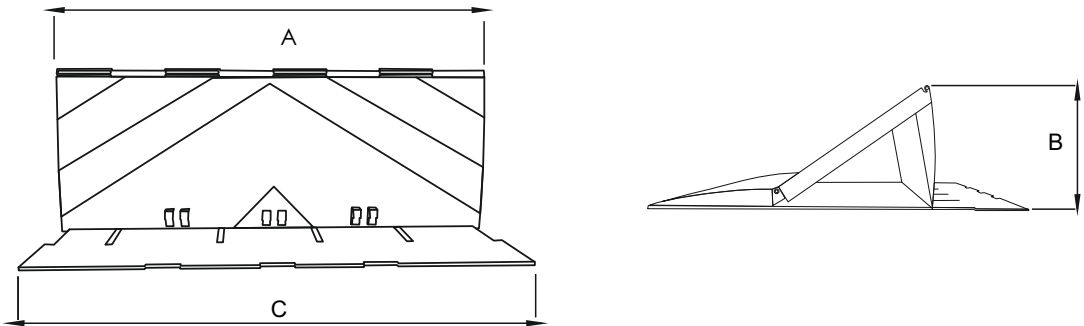
front view



rear view

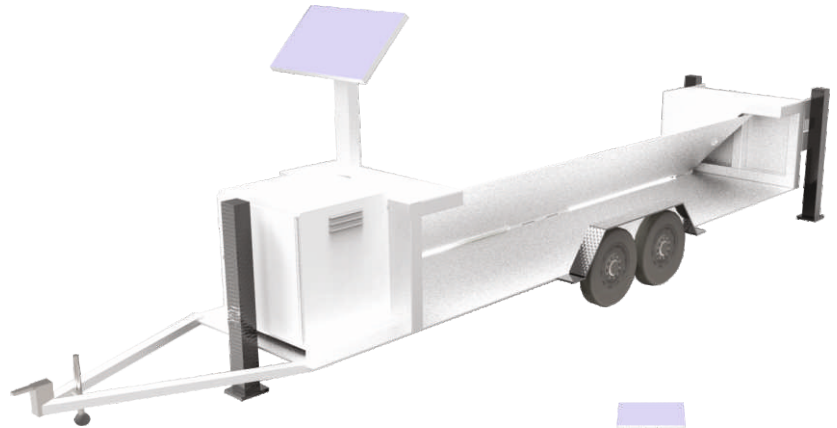
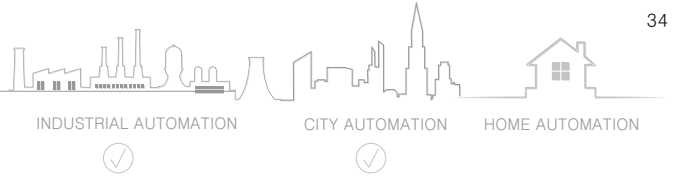


product information



		LENGTH								
		2 M			3 M			4 M		
		A	B	C	A	B	C	A	B	C
OPENABLE	30 cm		300			300			300	
	40 cm	2000	400	2000	3000	400	3000	4000	400	4000
	50 cm		500			500			500	

Type	SCORPION ROAD BLOCKER		
Model	WSF200	WSF300	WSF400
Length	2 mt	3 mt	4 mt
Working system	Hydraulic		
Power source	380 V 3 Phase 50/60 Hz		
Control unit	T-MAG control unit / optional PLC		
Current draw	3,8 A		5,15 A
Motor power	1,5 KW		2,2 KW
Turn on-turn off duration	4-10 second		
Continuously of operation	100%		
Lifting power	700 Kg		1600 Kg
Limit switch type	Adjustable motor operation duration		
Minimum operational pressure	20 Bar		
Maximum operational pressure	50 Bar		
Manual opening - closing	Through hand pump		
Hydraulic oil type	32 or 46 Number hydraulic oil		
Hydraulic pipe	3/8 R2 330 Bar		
Operational temperature	-20°C min +70°C max		
Accumulator support	Optional		
Emergency shut down	Optional		



ROVER ROAD BLOCKER

carry the security with you

Thanks to the portable build of the product you can take it anywhere as you go. Optional solar power system makes it operable at where electricity is not available. Thanks to the trailer system, it can be connected to your vehicle very easily and it can be adjusted according to ground requirements with the lift system.



side view



front view



rear view



EVERY SEASON
YOU WILL BE SAFE
BEHIND IT









BEST CHOICE THAT WE OFFER

	ARMOR	ARMOR PLUS	FORCEFUL	BUFFALO	BLOCK	PROOF	DEFENDER	SCORPION	ROVER
Normal Control Panel	-	-	-	✓	✓	✓	✓	✓	✓
Plc Control Panel	✓	✓	✓	-	-	o	o	o	o
Single Piston	-	-	-	✓	✓	-	-	-	-
Double Piston	✓	✓	✓	✓	✓	✓	✓	✓	✓
Dc Motor	-	✓	✓	-	-	o	o	o	o
Manuel Hand Pump	✓	✓	✓	o	-	o	o	o	✓
Notification Light	✓	✓	✓	✓	-	-	-	-	-
Accumulator Support	-	✓	✓	-	-	o	o	o	✓
Emergency Shutdown	-	o	o	-	-	o	o	o	-
Water Discharge Pump	o	✓	✓	o	-	-	-	-	-
Crash Test	✓	✓	✓	✓	-	-	-	-	-
Plc Screen	o	o	o	-	-	o	o	o	o
Oil Heater	o	o	o	o	-	o	o	o	o
Oil Cooler	o	o	o	o	-	o	o	o	-
Top Sheet With Drop Pattern	o	o	o	o	-	o	o	o	o
Immersion Galvanise	o	o	o	o	-	o	o	o	o

SYMBOLS and DESCRIPTIONS

- ✓ This Feature is Available
- o This Feature is Optional
- This Feature is Not Available

LET US GUARD
YOUR SAFETY,
YOU ENJOY
YOUR LIFE



Please Note: This brochure may contain typological errors or inaccuracies due to further modifications in product features. Some equipment illustrated or described here at the moment may be available at an additional fee. Before placing an order please get in touch with your authorized White dealer to provide you with the latest information. The manufacturer reserves the right to make changes to prices, colors, materials, specifications and models at any time, without notice.

WWW.WHITEROSE.COM.TR



Please read
for the product



ROAD
BLOCKER