

PANZER SERIES STAINLESS STEEL LED BOLLARDS



Panzer bollards are designed specially for place to high security with stainless steel body and hydraulic operation system.

In addition to being perfect resistant to suicide attack it operates a long term.

Moving part can rise from 90 cm to 120 cm as standardly.

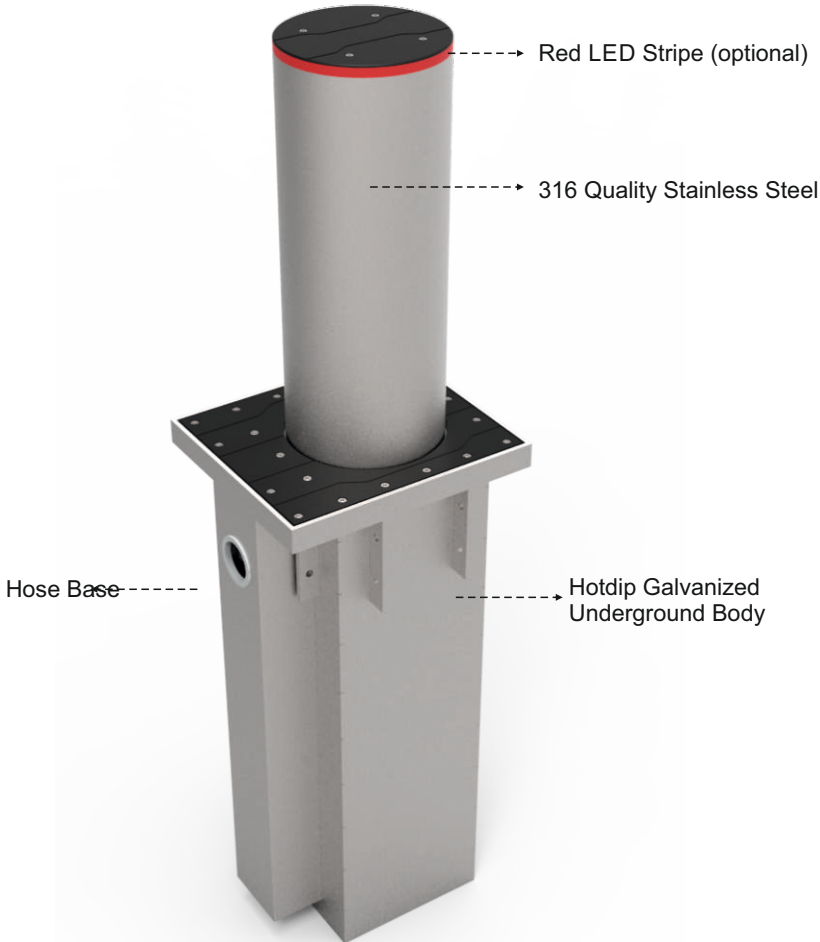
Panzer series bollards are designed and produced as fully compliant for all kind of access control systems.

System main structure has built from S355 quality steels, all hydraulic parts like unit, valves, locks are from Europe brand.

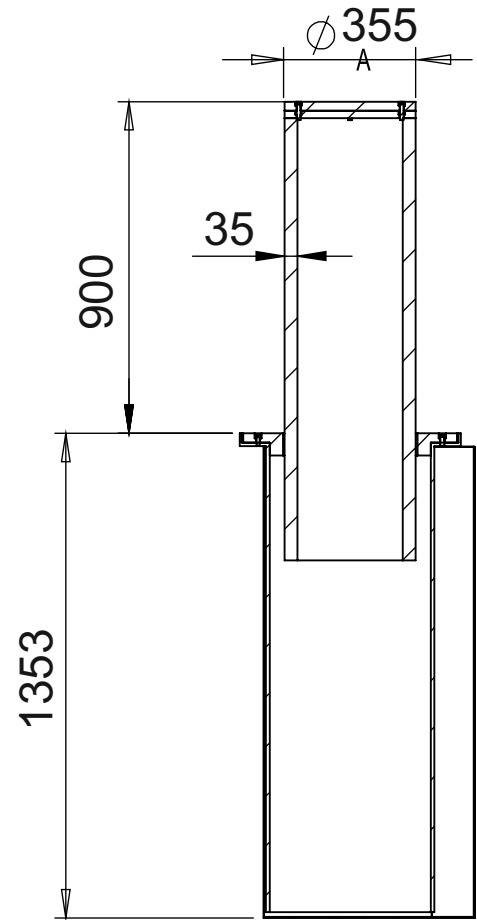
General Informations and Standards

- ▶ PLC Control panel
- ▶ Outer body is 316 quality stainless steel
- ▶ Operation speed is 4-6 second
- ▶ 3/8 R2 Hydraulic hoses 330 bar withstand
- ▶ 100% heavy duty cycle
- ▶ Fully compliant for access control systems
- ▶ Double contact loop detector
- ▶ Manual hand pump
- ▶ Wr200 desktop button system
- ▶ Lift capacity is 1000 kg each
- ▶ High performance working
- ▶ Fully safe and reliable operation
- ▶ Remote control and receiver system
- ▶ Impact test K12 & IWA 14 N2C 7,2 ton 80 km/h
- ▶ 2 years warranty

Product Details



Dimensions



Crash Test

White Rose, the rising star of Turkey realized the first 7.2 tonnes product crashing test in the world at Mira international test center which located United Kingdom.

White Rose, the rising star of Turkey realized the first 7.2 tonnes product crashing test in the world at Mira test center which located United Kingdom, was awarded to get certificate IWA 14 N2C for Panzer series rising bollard In addition, has been proved quality and durability of own products on more me.(IWA 14 is improved high standard the new face of well-known PAS 68 certificate recently and futurity).





Technical Datasheet

Type	PANZER SERIES					
Dimension	900x355x35mm					
Model	PS-1	PS-2	PS-3	PS-4	PS-5	PS-6
Rising bollard unit	Unary	Binary	Triad	Quad	Quinary	Senary
Movable part	On 32mm s355 steel pipe, 3mm 316 quality stainless					
Working system	Hydraulic					
Power supply	380 V 3 Phases 50/60 Hz					
Control card	12 in - 8 out PLC					
Opening time	4-6 seconds.					
Continuously of operation	100%					
Lift power for each bollard	1000 Kg					
Limit switch type	Adjustable engine working period					
Working pressure min.	30 Bar					
Working pressure max.	50 Bar					
Manual opening	Global valve					
Manual closing	Manual pump					
Hydraulic oil type	32 or 46 number hydraulic oil					
Bollard color	Satin stainless steel					
Warning light	(optional) Led system designed specially in upper					
Hydraulic hose	3/8 r2 330 bars					
Working temperature	-20°C min +70°C max					
Accumulator supply	Optional					
Emergency close	Optional					

Optional Extras

- ▶ Oil Heater
- ▶ Oil Cooler
- ▶ Emergency Fast Operation (1sec)
- ▶ DC Motor
- ▶ Battery
- ▶ Traffic Lights (red-green)
- ▶ Traffic Lights post
- ▶ PLC Control Screen
- ▶ LED system

ADDRESS

Organize Sanayi Bölgesi
9. Cad. No. 1 KARAMAN, TR

T: 0 338 224 13 60

F: 0 338 224 14 46

M: whiterose@whiterose.com.tr

W: www.whiterose.com.tr