

PARKING LOT BARRIERS

for your convenience...





FOR COMFORT AND SAFETY OF ANYTHING YOU CARE IN YOUR LIFE



We always ask ourselves this question: How can we provide both comfort and safety at the same time? Yes, in fact, comfort and safety are two conflicting words... But we ourselves create miracles with these two words... just with some knowledge, intelligence and ability... which are our key words en route to serve humanity. With these key words, we fit comfort and safety into a frame and here emerges White Rose. We, as White Rose, questioning continuously, have rendered our products suitable for people, not the other way around.

What are their needs, how can we assist them in their daily life? First, we discussed all these questions with our professional team and then we could answer them observing the needs of our people.

Thus, under three titles, we made use of our cutting-edge technology for humans comfort and safety. With our Industrial Automation, Urban Automation and Home Automation products we obtained answers of our questions and so we became an unrivaled company in Turkey, ranking among leading companies in the World. Thanks for deciding to get familiar with advanced technology we offer.



YOUR ADAPTABLE AUTOMATIC ASSISTANT



WHAT IS AN AUTOMATIC BARRIER?

Automatic Barrier is a product used to render vehicle exits and entrances better controlled. At places such as parking lots, site exits and entrances, it permits vehicles to enter/exit in a controlled and organized manner, in accordance with the intensity. And this provides both comfort and safety for people. On parking lot barriers we produce, we studied to respond all your needs regarding any area of utilization.

The automatic barriers produced by our company for different uses make your life easier thanks to the great convenience and advantages they offer to the user. Besides being remotely controllable, they can work fully compatible with other access control systems.

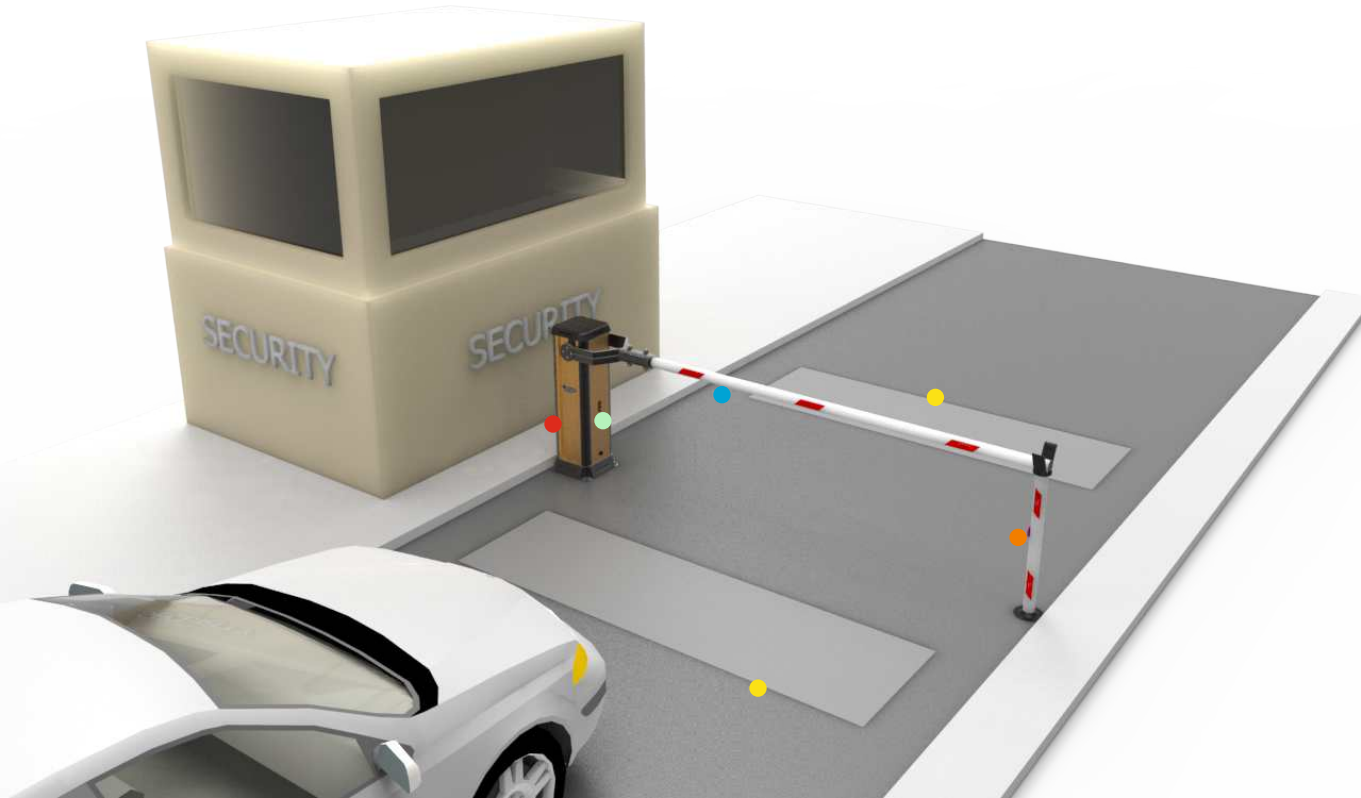


BEYOND MAKING LIFE EASIER...

Even if everything is not what it appears, Parking Lot Barriers enjoy offering you what does not appear. Making the best of its ergonomic design, gives an aesthetic touch to the landscape of every place where mounted. With its warning leds skillfully hidden under its tubular arm, guides the users at openings and closings. Automatic Barriers bring together the brand new structure, practical control system, functionality and many more advantages.



PARKING LOT BARRIER OPERATES UPON BASIS OF COMFORT



- Automatic Barrier
- Led System
- Wireless Safety Photocell
- Reflector
- Loop Detector

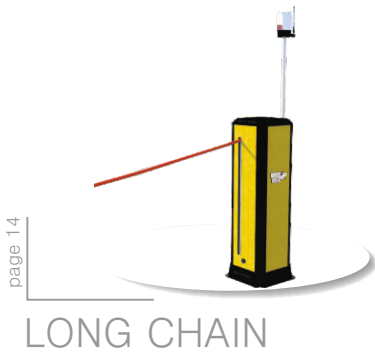
FOR ANYTHING YOU CARE

Reviewing whole series of our Automatic Barriers helps you find solutions for all your needs. Therefore, we kindly invite you to visit our web site.

www.whiterose.com.tr



WHAT WE OFFER: TOP-LEVEL SAFETY





DYNAMIC AUTOMATIC BARRIER

you keep the control

Dynamic Barrier brings together the brand new structure, practical control system, functionality and many more advantages. By preventing misuse incidents, ensures an effective control on parking lots. Furthermore, it comprises a led system under the arm which lights in green color when the barrier is open and in red when it is closed.



side view

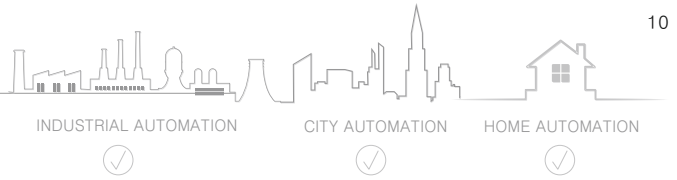


front view

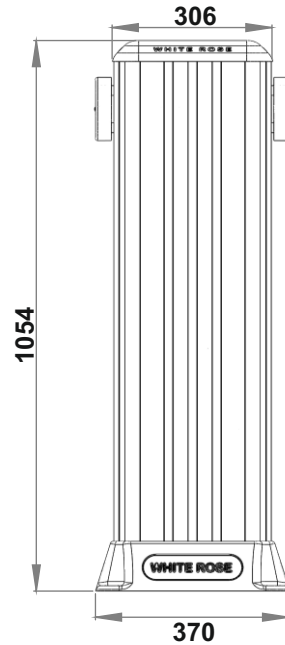
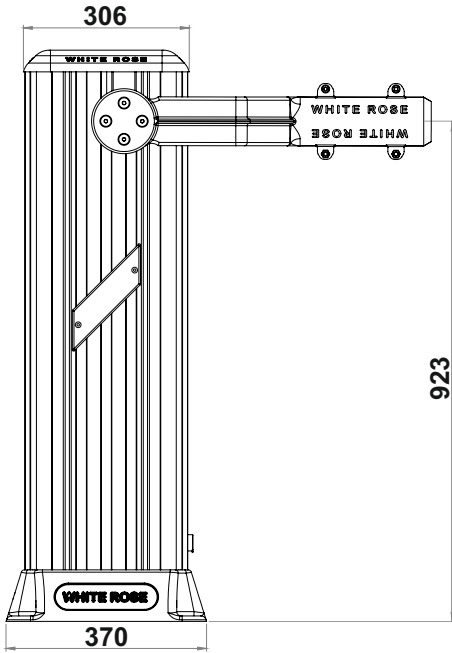


rear view





product details



Having each detail finely studied, automatic barriers offer you the most suitable solution for your need. You will be fascinated with its silent operation and 100% uninterrupted performance even in high-paced working environments



NEVER BOTHERS

Reviewing whole series of our Automatic Barriers helps you find solutions for all your needs. Therefore, we kindly invite you to visit our web site.

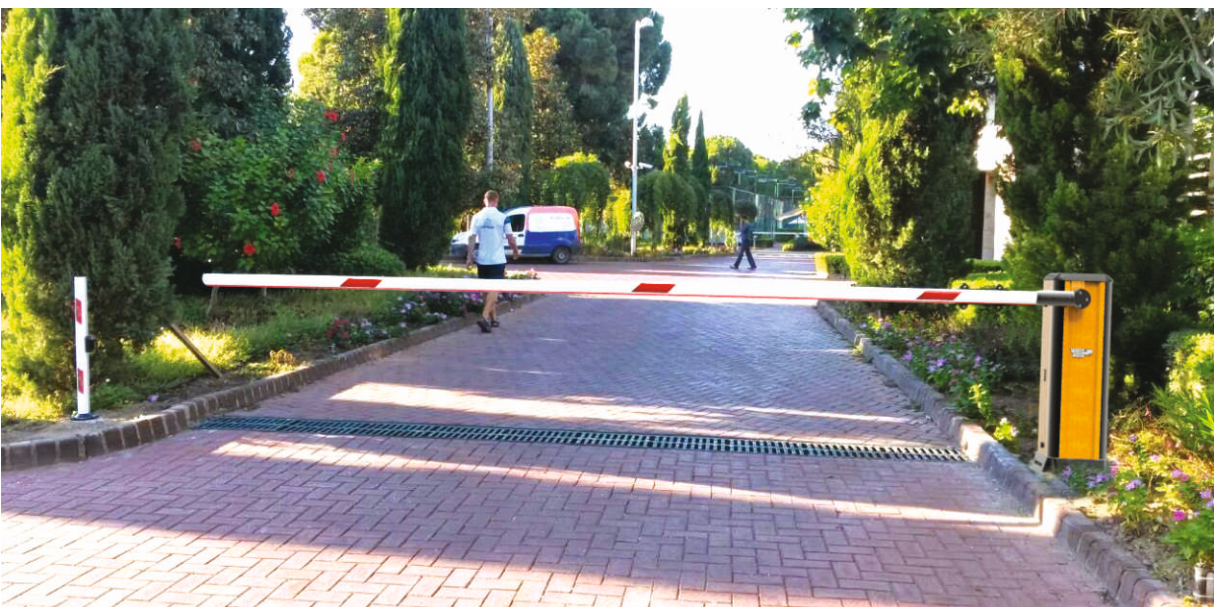
www.whiterose.com.tr

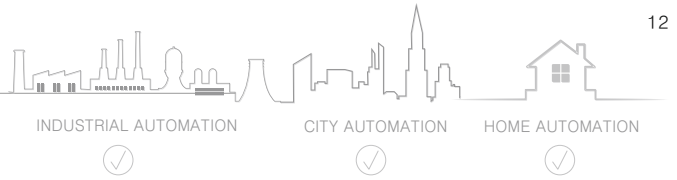
Type	DN 3SR DC	DN 4 DC	DN 6 DC
Maximum arm length	2mt	4mt	5,8mt
Protection rating	IP54		
Power supply	230 V 50/60 Hz		
Motor voltage	24 V		
Control unit	H-TECH 70		
Average current	2 A		
Maximum power	120 W		
Opening time	1,5sn	4,5sn	
Maximum torque	95 Nm	286 Nm	
Continuously of operation	100%		
Limit switch type	Electromechanical		
Impact reaction	Current control regulator		
Slow down	Available		
Manual use	Switch on Reductor		
Working temperature	-20°C min +70°C max		
Battery support	Optional		
Safety system	Wireless Safety Photocell		
Barrier weight	42 Kg	42 Kg	42 Kg

PARS AUTOMATIC BARRIER

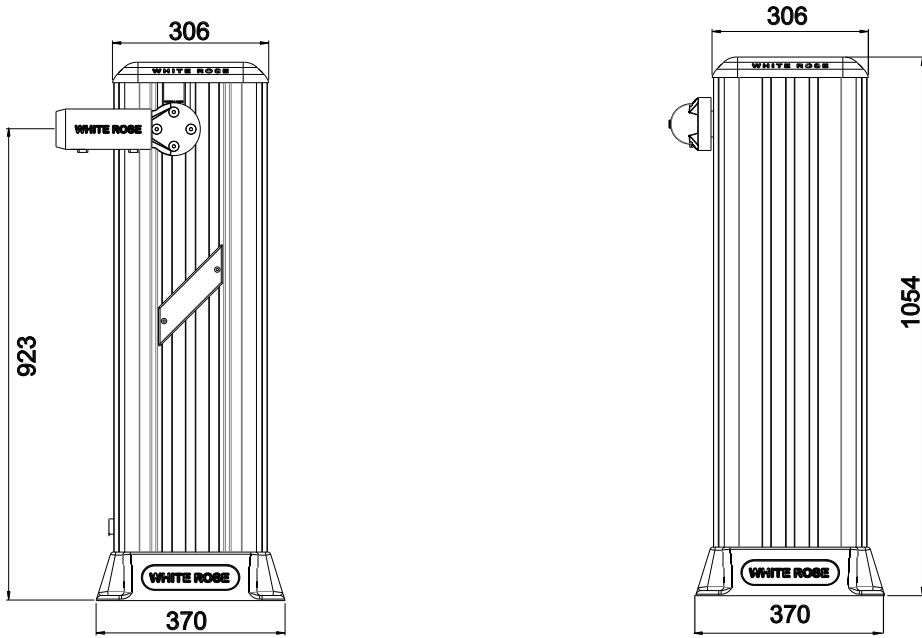
rot proof, noncorrosive

Given an aesthetic appearance with rounded outlines and protected against corrosion and rust with totally aluminum body. Thanks to its microprocessor control panel, compatible with any kind of access control system .It's duty cycle is 100% with 24V DC motor and is a hassle-free solution even in extremely crowded places.





product details



Operating even quieter, these are undoubtedly the noblest Automatic Barriers produced so far. Besides having an aerodynamic arm structure which dexterously resists against the wind, capable to reduce its arm weight to 100 g in manual uses, so never tires the user out.



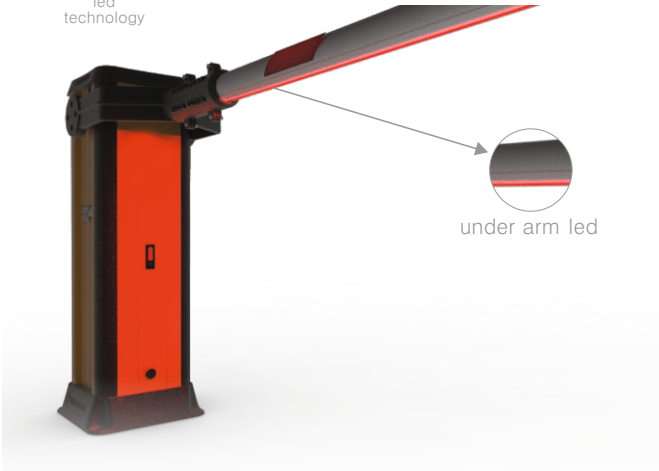
NEVER BOTHERS

Reviewing whole series of our Automatic Barriers helps you find solutions for all your needs. Therefore, we kindly invite you to visit our web site.

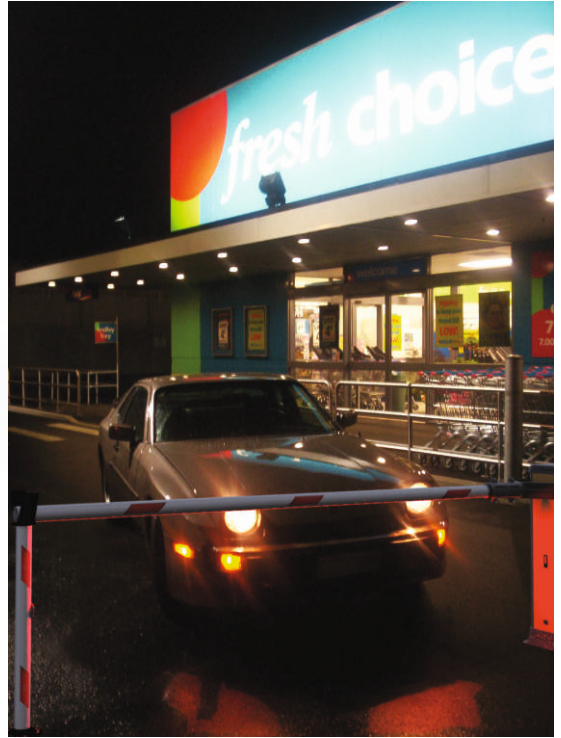
Type	PL 3SR DC	PL 4 DC
Maximum arm length	2mt	4mt
Protection rating	IP54	
Power supply	230 V 50/60 Hz	
Motor voltage	24 V	
Control unit	H-TECH 70	
Average current	2 A	
Maximum power	120 W	
Opening time	1,5sn	4,5sn
Maximum torque	95 Nm	286 Nm
Continuously of operation	100%	
Limit switch type	Electromechanical	
Impact reaction	Current control regulator	
Slow down	Available	
Manual use	With personal key	
Working temperature	-20°C min +70°C max	
Battery support	Optional	
Safety system	Wireless Safety Photocell	
Barrier weight	40 Kg	40 Kg

COMBINED TECHNOLOGY: SAFE AND DISTINGUISHABLE

LED
led
technology



When lights go down,
remains distinguishable
and gives warnings
thanks to its under arm
led.



Safety is in our nature.
Detecting any object
interfered during operation,
Automatic Barrier can
prevent eventual accidents.
Furthermore, it
accomplishes this with the
safety photocell which
stands out with its wireless
feature.

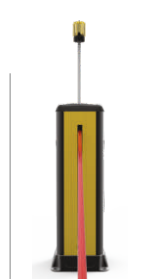
LONG CHAIN BARRIER

single barrier for 25 meter

It operates upon tensioning and laying out the rope. It easily closes an area of 25 meter which is difficult to be closed by other systems. Preferable in multiple vehicle parking facilities, as it's capable to lift the rope up and down in a very short time.



side view

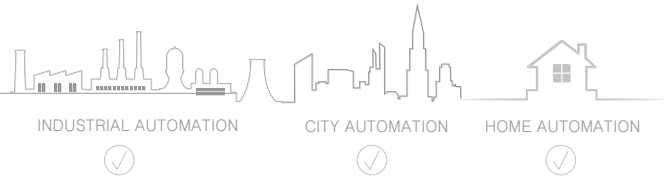


front view

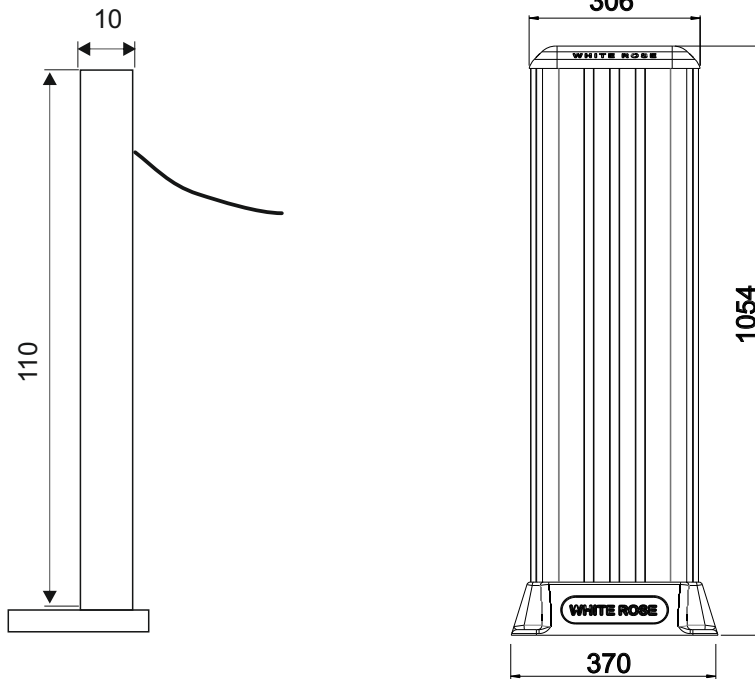


rear view





product details



Being protected against corrosion and rust with totally aluminum body, automatic barriers can operate uninterruptedly even under unfavorable weather conditions.



WITH IT EVERYTHING IS MORE ORGANIZED

Reviewing whole series of our Automatic Barriers helps you find solutions for all your needs. Therefore, we kindly invite you to visit our web site.

www.whiterose.com.tr

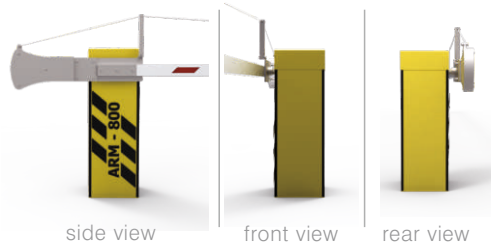
Type	LN-25
Maximum chain distance	25mt
Protection rating	IP54
Power supply	230 V 50/60 Hz
Motor voltage	24 V
Control unit	H-TECH 70
Average current	2 A
Maximum power	250 W
Opening time	7sn
Maximum torque	286 Nm
Continuously of operation	100%
Limit switch type	Electromechanical
Impact reaction	Current control regulator
Slow down	Available
Manual use	Switch on Reductor
Safety system	Wireless safety photocell
Working temperature	-20°C min +70°C max
Chain barrier weight	40 Kg



ARM AUTOMATIC BARRIER

industrial design

Arm series barriers ensure safe and controlled passage on widely spaced roads and parking lots. Being supported by the steel rope from the rear part, consents greater arm extension. With PLC operating system, designed and realized to be fully compatible with any kind of access control systems.



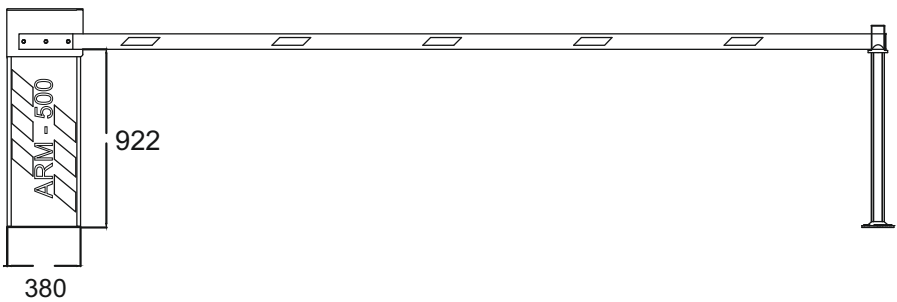
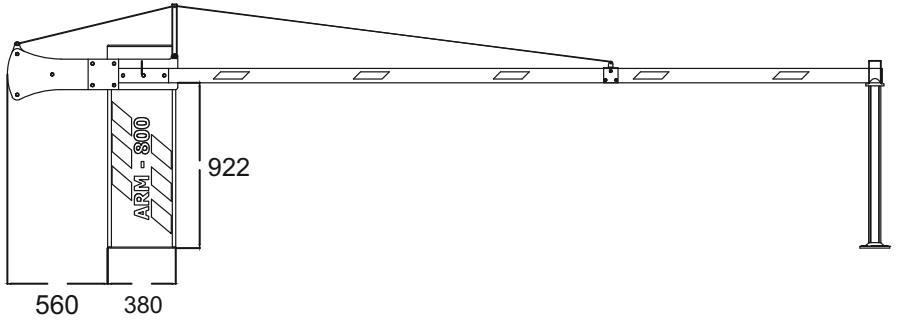
side view

front view

rear view



product details

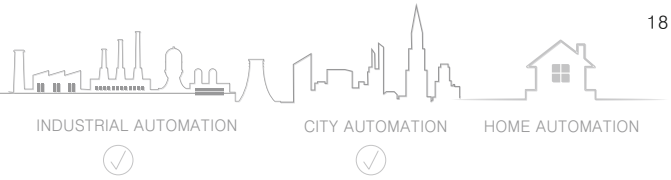


ZERO PROBLEM IN PEAK TIMES

Reviewing whole series of our Automatic Barriers helps you find solutions for all your needs. Therefore, we kindly invite you to visit our web site.

www.whiterose.com.tr

Type	ARM SERIES
Maximum arm length	2-8mt
Protection rating	IP54
Power supply	230 V 50/60 Hz
Motor voltage	220 V
Control system	PLC
Average current	3.5 A
Maximum power	120 W
Opening time	8-10 sec
Limit switch type	Electromechanical
Collision impact	Akim kontrol ayarlı
Slow down	Available
Safety system	Wireless safety photocell
Manual use	Switch on Reductor
Working temperature	-20°C min +70°C max



POWERFUL AUTOMATIC BARRIER

high security standard

Powerful Barrier, standing out with its totally iron body as stronger than ever, is mostly preferred in areas where high security is required. Besides the smooth performance even in rush working conditions thanks to its hydraulic working system, it shows as well an extreme resistance against unfavorable external factors.



side view



rear view





STEEL BARRIER

modern security

Steel Barrier, providing a modern appearance with its aesthetic structure, is considerably strong and robust thanks to its totally iron sections. Steel Barrier never puts your security at risk as it provides %100 working performance through its hydraulic working system.

With its structure rendered extremely resistant to external factors, thanks to iron sections, it is the unique sample among modern security solutions.




side view



rear view

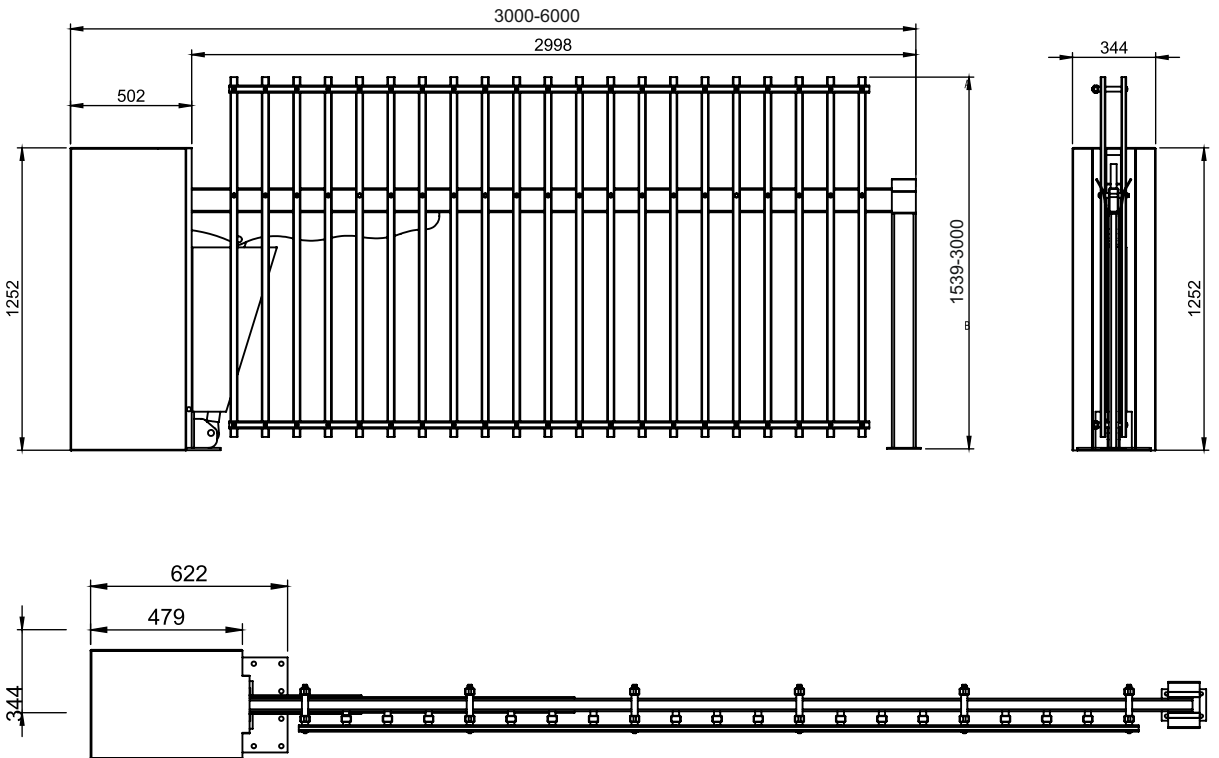


front view

“now with its hydraulic structure even more functional” 



product details



FOR YOUR COMFORT

Reviewing whole series of our Automatic Barriers helps you find solutions for all your needs. Therefore, we kindly invite you to visit our web site.

www.whiterose.com.tr

Tip	STEEL BARRIER
Arm dimension	40x100 mm
Net passage	3-6 mt.
Motor power	0,55-0,75 Kw
Supply voltage	380V 3 Faz 50/60 Hz
Control unit	T-Mag or optional PLC
Working system	Hydraulic
Opening time	10-1sec.
Operating pressure min.	30 bar
Operating pressure max.	50 bar
Manually opening/closing	Hand pump
Hydraulic oil type	Hydraulic oil no. 32 or 46
Hydraulic hose	3/8 R2 330 bar
Emniyet sistemi	Safety system Wireless safety photocell
Ip standard	IP54
Ambient Operating Temperature	-20°C min +70°C max



BEST OPTION WE OFFER

	DYNAMIC	PARS	ARM	LONG CHAIN	STEEL	POWERFUL
Typical Control Panel	✓	✓	-	✓	✓	-
PLC Control Panel	-	-	✓	-	o	✓
Electromechanical	✓	✓	✓	✓	-	-
Hydraulic	-	-	-	-	✓	✓
AC Motor	-	-	✓	-	✓	✓
DC Motor	✓	✓	-	✓	o	o
Aluminum Arm	✓	✓	✓	-	-	-
Steel Arm System	-	-	-	✓	✓	✓
Under-arm Led	✓	✓	o	-	-	-
Battery Support	o	o	-	o	o	o
Emergency Closing	-	-	-	-	o	o
PLC Screen	-	-	o	-	o	o
Oil Heater	-	-	-	-	o	o
Oil Cooler	-	-	-	-	o	o
Safety System	✓	✓	✓	✓	✓	✓

SYMBOLS and DESCRIPTIONS

- ✓ This Feature is Available
- o This Feature is Optional
- This Feature is Not Available

LET US GUARD
YOUR SAFETY,
YOU ENJOY
YOUR LIFE



Please Note: This brochure may contain typological errors or inaccuracies due to further modifications in product features. Some equipment illustrated or described here at the moment may be available at an additional fee. Before placing an order please get in touch with your authorized White dealer to provide you with the latest information. The manufacturer reserves the right to make changes to prices, colors, materials, specifications and models at any time, without notice.

WWW.WHITEROSE.COM.TR



Please read
for the product



PARKING LOT BARRIERS